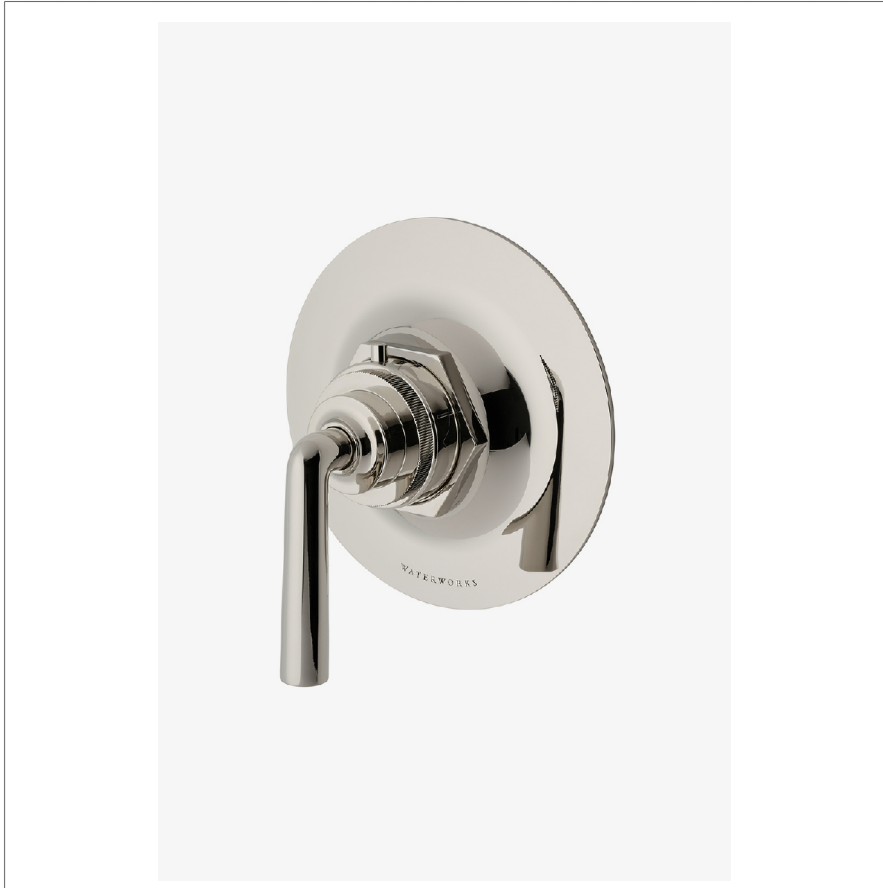


HENRY

HTH111

Henry Thermostatic Control Valve Trim with Lever Handle



SHOWN IN HENRY THERMOSTATIC CONTROL VALVE TRIM WITH LEVER HANDLE | HTH111

TECHNICAL DETAILS

Integrated Diverter: N
Number Of Holes: One Hole
Primary Material: Brass

INSPIRATION

Influenced by the connection of industry and art Henry easily transitions between modern, traditional, utilitarian and classic settings.

CODES & STANDARDS

ASME A112.18.1/CSA B125.1, State of MA

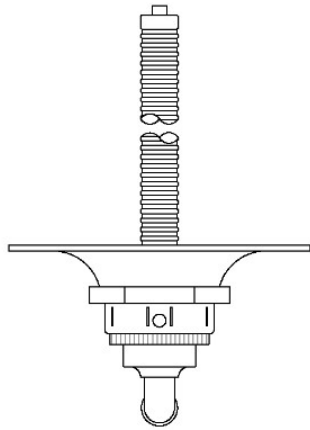
PRODUCT FEATURES

CERTIFICATIONS



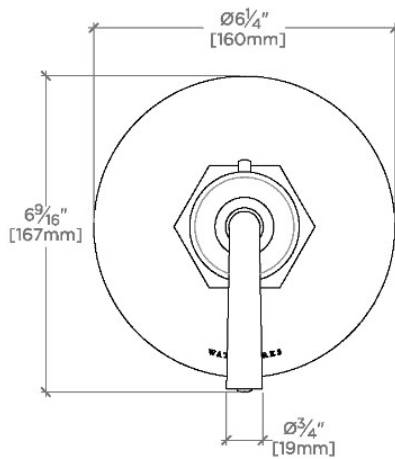
PRODUCT (NOTES)

Henry Thermostatic Control Valve Trim with Lever Handle



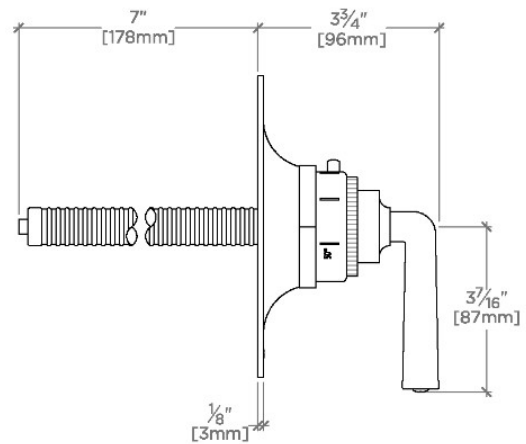
TOP VIEW

SCALE: 3"=1'-0"



FRONT VIEW

SCALE: 3"=1'-0"



SIDE VIEW

SCALE: 3"=1'-0"