

HENRY CHRONOS

CXT114

Henry Chronos Wall Mounted Exposed Tub Filler with Handshower and Walnut Lever Handles



SHOWN IN HENRY CHRONOS WALL MOUNTED EXPOSED TUB FILLER WITH HANDSHOWER AND WALNUT LEVER HANDLES | CXT114

TECHNICAL DETAILS

ADA Compliance: No
 Fittings Hole Diameter: 1 3/8"
 Handle Spread Maximum: 8"
 Handle Spread Minimum: 8"
 Handle Turn Angle: Quarter Turn
 Handshower Spray Hose Length: 60"
 Inlet Connection Size: 3/4"
 Inlet Connection Type: Copper Sweat, NPT and 1/2" Female BSPP
 Inlet Supply Spread Maximum: 8"
 Inlet Supply Spread Minimum: 8"
 Integrated Diverter: Y
 Number Of Holes: Two Hole
 Pivot: Y
 Primary Material: Brass
 Restricted Maximum Flow Rate: 1.75 gpm
 Spout Swivel: N
 Spray Included In Unit: Y
 Valve Material: Brass and Ceramic
 Water Pressure Maximum: 85.0 psi
 Water Pressure Minimum: 20.0 psi
 Water Pressure Recommended: 45.0 psi

INSPIRATION

Inspired by dive watches, Henry Chronos radiates design prowess and technical precision. Chronos retains the design integrity of our original, iconic Henry collection, while imbuing it with modern details and exquisite materials.

CODES & STANDARDS

PRODUCT FEATURES

Features Walnut Lever Handles

Diverter Knob Allows Bather to Move Water From Spout to Handshower

Handshower Offers a Fixed Spray Pattern, Handshower Post Can Swivel to Allow User to Position Handshower Over the Tub

Stocked in Brass, Chrome and Nickel

Unrestricted Flow for Tub Spout. Handshower Available in 1.75gpm (4.5L/min) Flow Rate

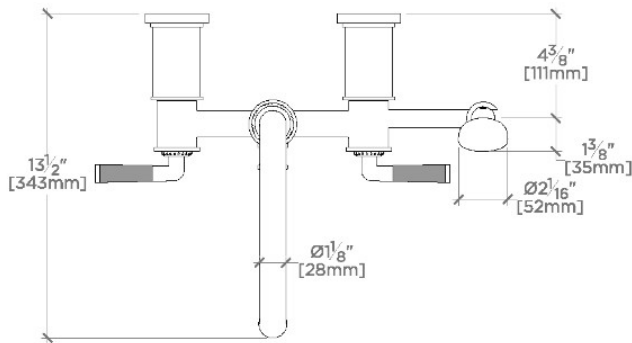
CERTIFICATIONS

PRODUCT (NOTES)

HENRY CHRONOS

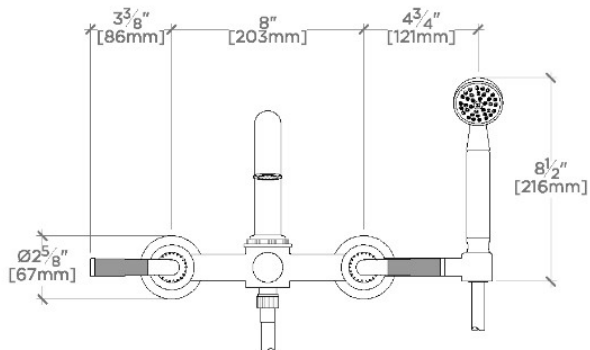
CXT114

Henry Chronos Wall Mounted Exposed Tub Filler with Handshower and Walnut Lever Handles



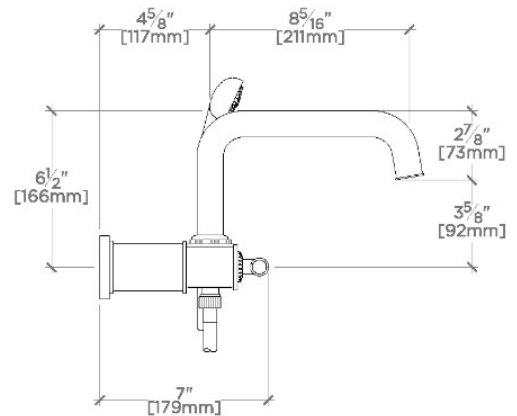
TOP VIEW

SCALE: 1/2"=1'-0"



FRONT VIEW

SCALE: 1/2"=1'-0"



SIDE VIEW

SCALE: 1/2"=1'-0"