

HENRY CHRONOS

CNS388

Henry Chronos 8" Rain Showerhead with 18" Wall Mounted 90 Degree Shower Arm



SHOWN IN HENRY CHRONOS 8" RAIN SHOWERHEAD WITH 18" WALL MOUNTED 90 DEGREE SHOWER ARM | CNS388

TECHNICAL DETAILS

Fittings Hole Diameter: 1 3/8"
 Flow Restriction Options: 1.5, 1.75, 2.0
 Inlet Connection Size: 1/2"
 Inlet Connection Type: Male NPT
 Pivot: Y
 Restricted Maximum Flow Rate: 1.75 gpm
 Water Pressure Maximum: 85.0 psi
 Water Pressure Minimum: 20.0 psi
 Water Pressure Recommended: 45.0 psi

INSPIRATION

Inspired by dive watches, Henry Chronos radiates design prowess and technical precision. Chronos retains the design integrity of our original, iconic Henry collection, while imbuing it with modern details and exquisite materials.

CODES & STANDARDS

CNS388X, ASME A112.18.1/CSA B125.1, CEC(1.5GPM & 1.75GPM Only), WaterSense(1.5GPM, 1.75GPM & 2.0GPM Only), DOE

PRODUCT FEATURES

- Made of Brass
- Features a swivel 8" rain showerhead with easy clean rubber nozzles
- Includes a 12" ceiling mounted shower arm
- Stocked in Brass, Chrome and Nickel
- Rain showerhead available in 1.75gpm (6.6L/min) flow rate

CERTIFICATIONS

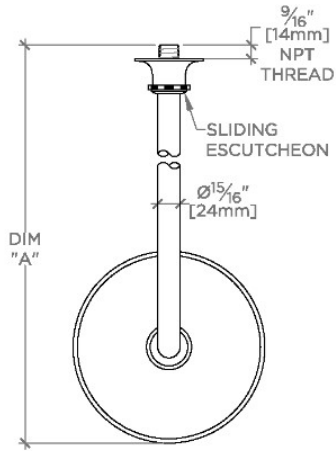


PRODUCT (NOTES)

HENRY CHRONOS

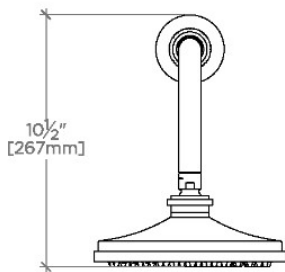
CNS388

Henry Chronos 8" Rain Showerhead with 18" Wall Mounted
90 Degree Shower Arm

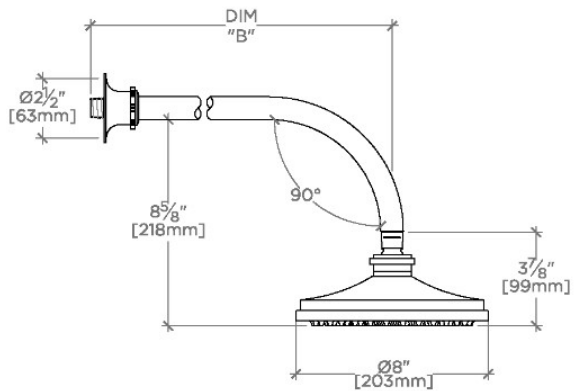


TOP VIEW SCALE: 1/2"=1'-0"

STYLE NO.	DIM "A"	DIM "B"
CNS387	16 ⁹ / ₁₆ " [420mm]	12 ⁹ / ₁₆ " [319mm]
CNS388	22 ⁹ / ₁₆ " [573mm]	18 ⁹ / ₁₆ " [471mm]



FRONT VIEW SCALE: 1/2"=1'-0"



SIDE VIEW SCALE: 1/2"=1'-0"