

HENRY CHRONOS

CLS411

Henry Chronos One Hole Lavatory Faucet with Lever Handle



SHOWN IN HENRY CHRONOS ONE HOLE LAVATORY FAUCET WITH LEVER HANDLE | CLS411

TECHNICAL DETAILS

Deck Thickness Maximum: 2 5/8"
Deck Thickness Minimum: 1/4"
Drain Depth Maximum: 2"
Drain Depth Minimum: 3/8"
Drain Hole Diameter: 1 1/2"
Drain Style: Push Touch
Fittings Hole Diameter: 1 3/8"
Handle Turn Angle: Quarter Turn
Inlet Connection Size: 3/8"
Inlet Connection Type: Compression Connection Hoses
Number Of Holes: One Hole
Primary Material: Brass
Restricted Maximum Flow Rate: 1.2 gpm
Spout Swivel: N
Valve Material: Brass and Ceramic
Water Pressure Maximum: 85.0 psi
Water Pressure Minimum: 20.0 psi
Water Pressure Recommended: 45.0 psi

INSPIRATION

Inspired by dive watches, Henry Chronos radiates design prowess and technical precision. Chronos retains the design integrity of our original, iconic Henry collection, while imbuing it with modern details and exquisite materials.

CODES & STANDARDS

NSF/ANSI/CAN 61:Q < 1

PRODUCT FEATURES

Features All Metal Lever Handles

Includes a Universal Push Touch Drain Sized to Fit US and Euro Sink Drain Openings

Stocked in Brass, Chrome and Nickel

Available in 1.2gpm (4.5L/min) Flow Rate

CERTIFICATIONS

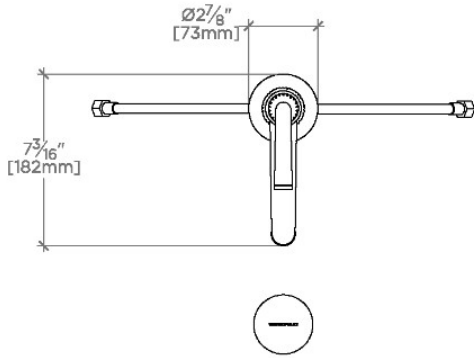
PRODUCT (NOTES)

WATERWORKS

HENRY CHRONOS

CLS411

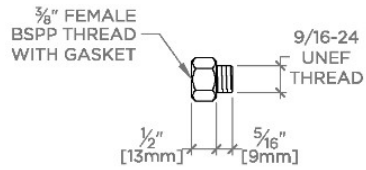
Henry Chronos One Hole Lavatory Faucet with Lever Handle



TOP VIEW

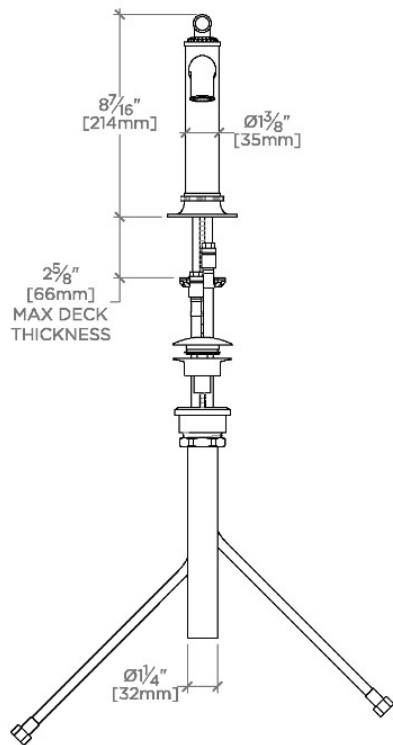
SCALE: 1/2"=1'-0"

† 2 ADAPTERS SUPPLIED
INTERNATIONAL USE ONLY



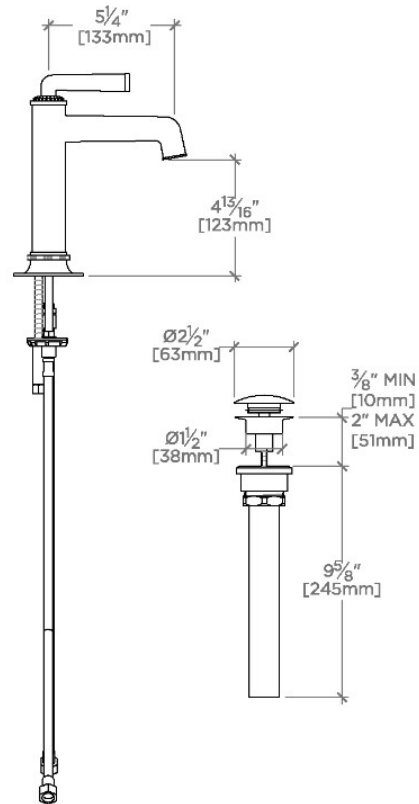
BSPP ADAPTER †

NOT TO SCALE



FRONT VIEW

SCALE: 1/2"=1'-0"



SIDE VIEW

SCALE: 1/2"=1'-0"