

## HENRY

## HTH513

Henry Integrated Thermostatic and Three Way Diverter Trim with Coin Edge Cross and Lever Handles



SHOWN IN HENRY INTEGRATED THERMOSTATIC AND THREE WAY DIVERTER TRIM WITH COIN EDGE CROSS AND LEVER HANDLES  
| HTH513

### INSPIRATION

Influenced by the connection of industry and art Henry easily transitions between modern, traditional, utilitarian and classic settings.

### PRODUCT FEATURES

Features Cross and Lever Handles

Allows bather to adjust temperature of all waterway outlets with a hot limit safety stop providing anti-scald protection

Stocked in Brass, Chrome, Nickel and Dark Nickel

Requires rough valve, sold separately: GUTH73 (USA) or GU73TH (UK/International)

### TECHNICAL DETAILS

Fittings Hole Diameter: 2 1/2"

Integrated Diverter: Y

Number Of Holes: Two Hole

Primary Material: Brass

### CODES & STANDARDS

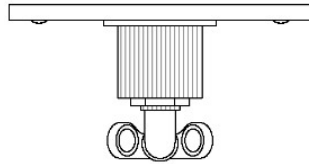
ASME A112.18.1/CSA B125.1, State of MA

### CERTIFICATIONS



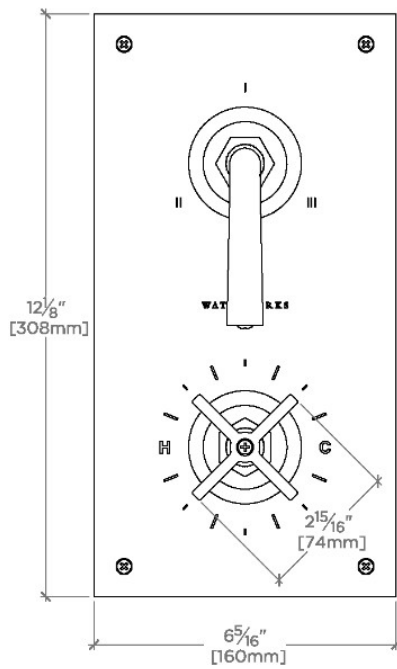
### PRODUCT (NOTES)

Henry Integrated Thermostatic and Three Way Diverter Trim with Coin Edge Cross and Lever Handles



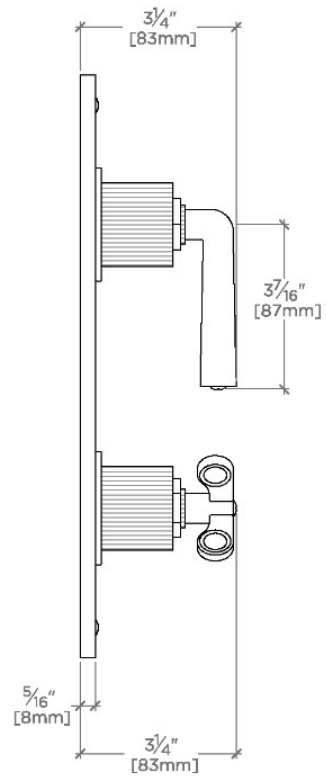
TOP VIEW

SCALE: 3"=1'-0"



FRONT VIEW

SCALE: 3"=1'-0"



SIDE VIEW

SCALE: 3"=1'-0"