

## HENRY

## HTH412

Henry Integrated Thermostatic and Two Way Diverter Trim with Two Tone Cross and Lever Handles



SHOWN IN HENRY INTEGRATED THERMOSTATIC AND TWO WAY DIVERTER TRIM WITH TWO TONE CROSS AND LEVER HANDLES | HTH412

### INSPIRATION

Influenced by the connection of industry and art Henry easily transitions between modern, traditional, utilitarian and classic settings.

### PRODUCT FEATURES

Features Two Tone Cross and Lever Handles

Allows bather to adjust temperature of all waterway outlets with a hot limit safety stop providing anti-scald protection

Stocked in Brass/Dark Nickel and Nickel/Dark Nickel

Requires rough valve, sold separately: GUTH72 (USA) or GU72TH (UK/International)

### TECHNICAL DETAILS

Fittings Hole Diameter: 2 1/2"

Integrated Diverter: Y

Number Of Holes: Two Hole

Primary Material: Brass

### CODES & STANDARDS

ASME A112.18.1/CSA B125.1, State of MA

### CERTIFICATIONS

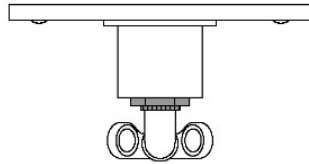


### PRODUCT (NOTES)

## HENRY

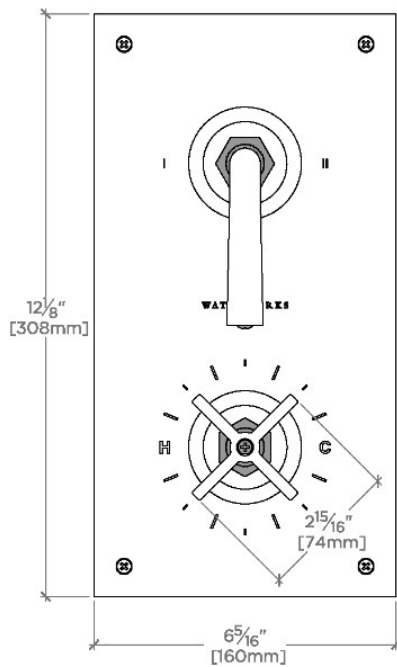
HTH412

Henry Integrated Thermostatic and Two Way Diverter Trim  
with Two Tone Cross and Lever Handles



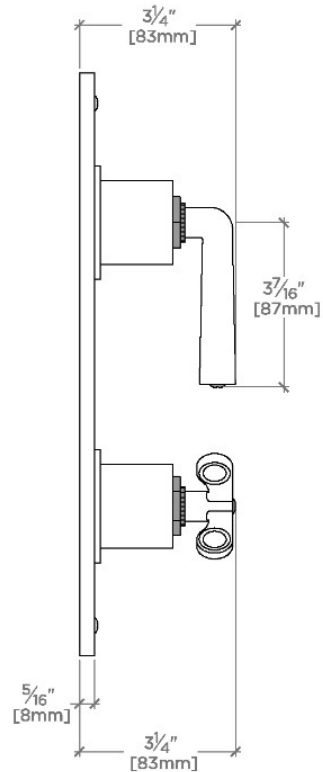
TOP VIEW

SCALE: 3"=1'-0"



FRONT VIEW

SCALE: 3"=1'-0"



SIDE VIEW

SCALE: 3"=1'-0"