

HENRY

HTH302

Henry Integrated Thermostatic and Volume Control Trim
with Two Tone Cross Handles



SHOWN IN HENRY INTEGRATED THERMOSTATIC AND VOLUME CONTROL TRIM WITH TWO TONE CROSS HANDLES | HTH302

TECHNICAL DETAILS

Fittings Hole Diameter: 2 1/2"
Integrated Diverter: Y
Number Of Holes: Two Hole
Primary Material: Brass

INSPIRATION

Influenced by the connection of industry and art Henry easily transitions between modern, traditional, utilitarian and classic settings.

CODES & STANDARDS

ASME A112.18.1/CSA B125.1, State of MA

PRODUCT FEATURES

Features Two Tone Cross Handles

Allows bather to adjust temperature of all waterway outlets with a hot limit safety stop providing anti-scald protection

Stocked in Brass/Dark Nickel and Nickel/Dark Nickel

Requires rough valve, sold separately: GUTH71 (USA) or GU71TH (UK/International)

CERTIFICATIONS

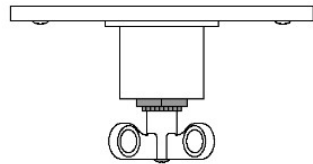


PRODUCT (NOTES)

HENRY

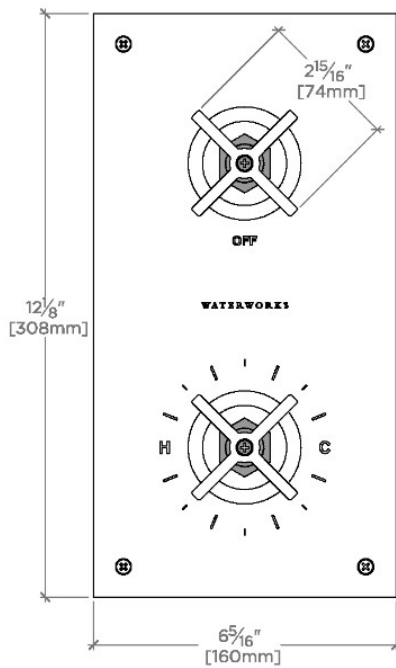
HTH302

Henry Integrated Thermostatic and Volume Control Trim
with Two Tone Cross Handles



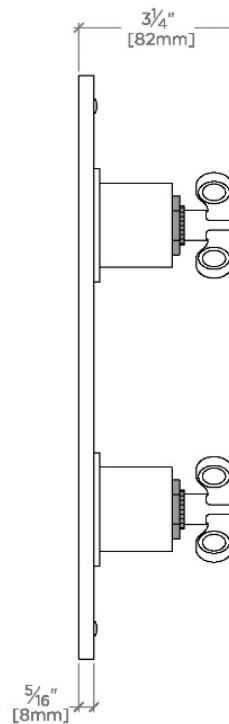
TOP VIEW

SCALE: 3"=1'-0"



FRONT VIEW

SCALE: 3"=1'-0"



SIDE VIEW

SCALE: 3"=1'-0"