

## VIAWORKS

GUDV3T

ViaWorks Three Way Diverter Valve for Thermostatic Shower Systems



SHOWN IN VIAWORKS THREE WAY DIVERTER VALVE FOR THERMOSTATIC SHOWER SYSTEMS | GUDV3T

### TECHNICAL DETAILS

Fittings Hole Diameter: 2"  
 Handle Turn Angle: Full Turn  
 Inlet Connection Size: 1/2"  
 Inlet Connection Type: Male NPT  
 Outlet Connection Size: 1/2"  
 Outlet Connection Type: Male NPT  
 Primary Material: Brass  
 Valve Material: Ceramic  
 Water Pressure Maximum: 85.0 psi  
 Water Pressure Minimum: 20.0 psi  
 Water Pressure Recommended: 45.0 psi

### INSPIRATION

The ViaWorks collection encompasses all Waterworks valves, which are just as impeccably engineered as our legendary fittings and the finest the industry has to offer in terms of performance, features and functionality. ViaWorks valves are engineered with more than three generations of bath and kitchen expertise, each with installers and lifelong service in mind.

### CODES & STANDARDS

ASME A112.18.1/CSA B125.1

### PRODUCT FEATURES

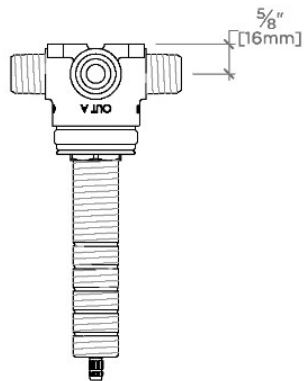
- For use with Thermostatic systems with three-way diverter valve trims
- 1/2" BSPP male inlet and outlets with 60 degree turn functionality
- 16 gpm (gallons per minute) unrestricted maximum flow at 60 psi
- Custom tile guard ensures precise tiling, while providing accessibility in servicing the valve.
- Made in Europe of Brass Construction

### CERTIFICATIONS

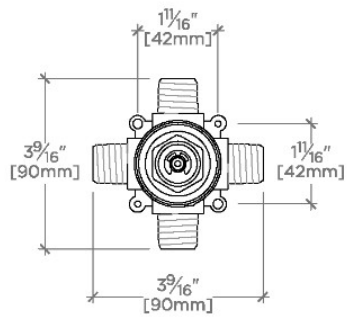


### PRODUCT (NOTES)

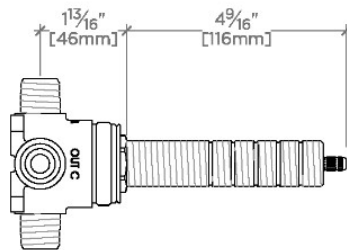
ViaWorks Three Way Diverter Valve for Thermostatic Shower Systems



TOP VIEW SCALE: 3"=1'-0"



FRONT VIEW SCALE: 3"=1'-0"



SIDE VIEW SCALE: 3"=1'-0"