

## R.W. ATLAS

RWS488

R.W. Atlas 8 1/2" Rain Showerhead with 18" Wall Mounted 90 Degree Shower Arm



SHOWN IN R.W. ATLAS 8 1/2" RAIN SHOWERHEAD WITH 18" WALL MOUNTED 90 DEGREE SHOWER ARM | RWS488

### TECHNICAL DETAILS

Adjustable Versus Fixed Spray: Fixed  
Fittings Hole Diameter: 1 1/4"  
Flow Restriction Options: 1.5, 1.75, 2.0  
Inlet Connection Size: 1/2"  
Inlet Connection Type: Male NPT  
Pivot: Y  
Primary Material: Brass  
Restricted Maximum Flow Rate: 1.75 gpm  
Water Pressure Maximum: 85.0 psi  
Water Pressure Minimum: 20.0 psi  
Water Pressure Recommended: 45.0 psi

### INSPIRATION

Powerful shapes, genuine materials and unique aesthetic details. The original, impeccable vision of R.W. Atlas pairs American ingenuity with European craftsmanship.

### CODES & STANDARDS

RWS488X, ASME A112.18.1/CSA B125.1, CEC(1.5GPM & 1.75GPM Only), WaterSense(1.5GPM, 1.75GPM & 2.0GPM Only), DOE

### PRODUCT FEATURES

Made of Brass

Features a swivel 8 1/2" rain showerhead with easy clean rubber nozzles

Includes a 18" wall mounted 90 degree shower arm

Stocked in Brass and Nickel

Rain showerhead available in 1.75gpm (6.6L/min) flow rate

### CERTIFICATIONS



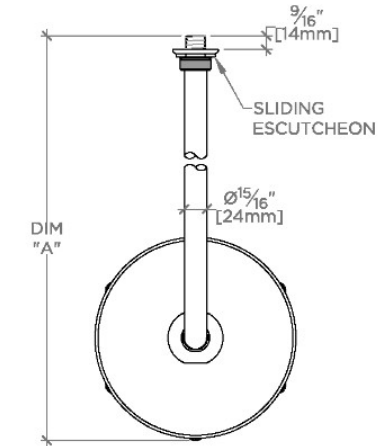
### PRODUCT (NOTES)

# WATERWORKS

R.W. ATLAS

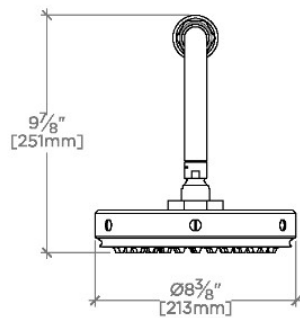
RWS488

R.W. Atlas 8 1/2" Rain Showerhead with 18" Wall Mounted 90 Degree Shower Arm

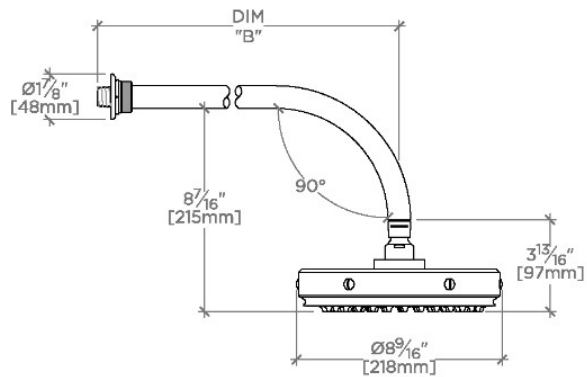


CEILING VIEW SCALE: 1/2"=1'-0"

STYLE NO.	DIM "A"	DIM "B"
RWS487	16 <sup>7</sup> / <sub>8</sub> " [428mm]	12 <sup>9</sup> / <sub>16</sub> " [319mm]
RWS488	22 <sup>7</sup> / <sub>8</sub> " [581mm]	18 <sup>9</sup> / <sub>16</sub> " [472mm]



FRONT VIEW SCALE: 1/2"=1'-0"



SIDE VIEW SCALE: 1/2"=1'-0"