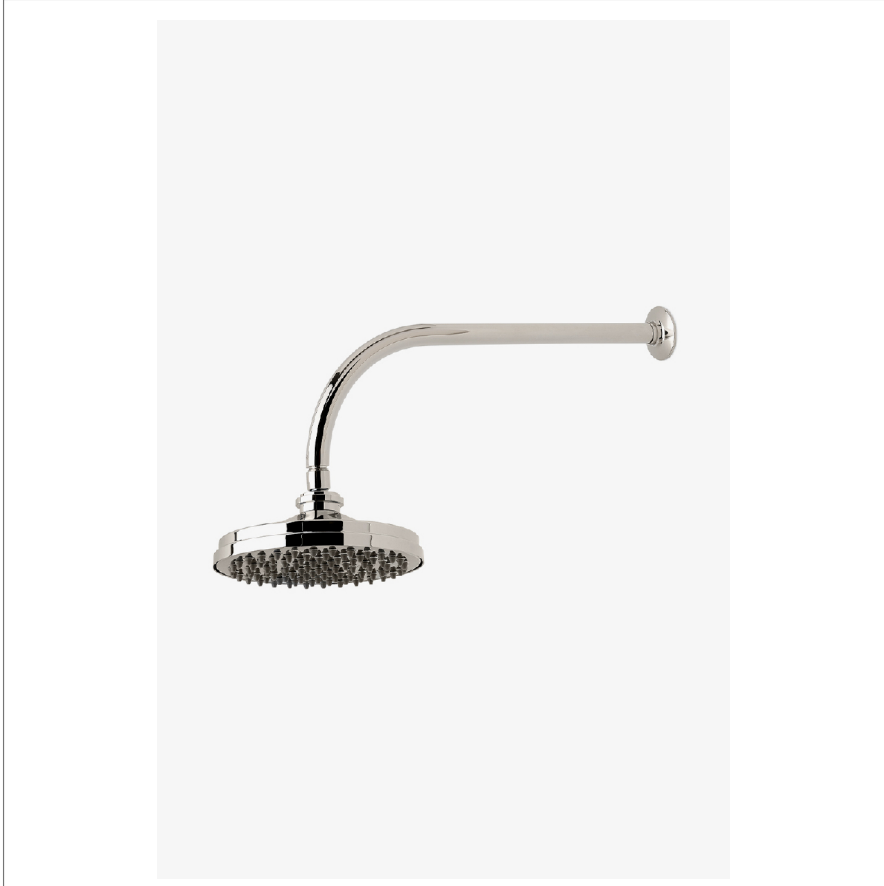


RIVERUN

RRS388

Riverun 8" Rain Showerhead with 18" Wall Mounted 90 Degree Shower Arm



SHOWN IN RIVERUN 8" RAIN SHOWERHEAD WITH 18" WALL MOUNTED 90 DEGREE SHOWER ARM | RRS388

TECHNICAL DETAILS

Adjustable Versus Fixed Spray: Fixed
 Fittings Hole Diameter: 1 1/4"
 Flow Restriction Options: 1.5, 1.75, 2.0
 Inlet Connection Size: 1/2"
 Inlet Connection Type: Male NPT
 Pivot: Y
 Primary Material: Brass
 Restricted Maximum Flow Rate: 1.75 gpm
 Water Pressure Maximum: 85.0 psi
 Water Pressure Minimum: 20.0 psi
 Water Pressure Recommended: 45.0 psi

INSPIRATION

This new American classic was designed with simplicity in mind. Featuring streamlined forms and honest details, it's the epitome of quiet elegance.

CODES & STANDARDS

RRS388X, ASME A112.18.1/CSA B125.1, CEC(1.5GPM & 1.75GPM Only), WaterSense(1.5GPM, 1.75GPM & 2.0GPM Only), DOE

PRODUCT FEATURES

- Made of Brass
- Features a swivel 8" rain showerhead with easy clean rubber nozzles
- Includes a 18" wall mounted 90 degree shower arm
- Stocked in Brass, Chrome, Nickel and Matte Nickel
- Rain showerhead available in 1.75gpm (6.6L/min) flow rate

CERTIFICATIONS



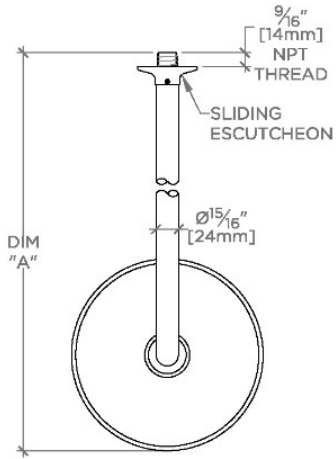
PRODUCT (NOTES)

WATERWORKS

RIVERUN

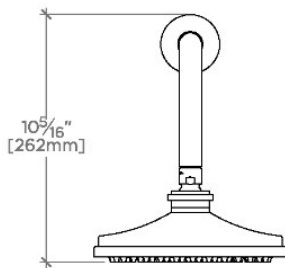
RRS388

Riverun 8" Rain Showerhead with 18" Wall Mounted 90 Degree Shower Arm

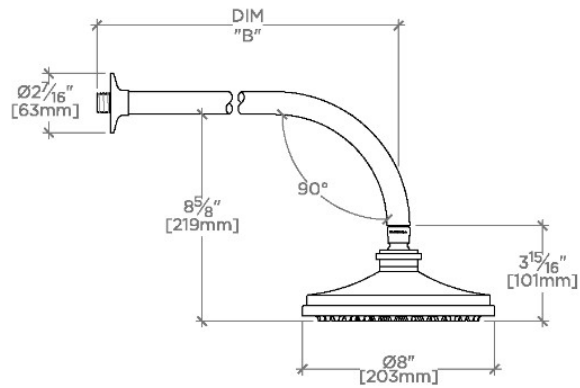


TOP VIEW SCALE: 1/2"=1'-0"

STYLE NO.	DIM "A"	DIM "B"
DSS387		
HGS387	16 ⁹ / ₁₆ " [421mm]	12 ⁹ / ₁₆ " [319mm]
RRS387		
DSS388		
HGS388	22 ⁹ / ₁₆ " [573mm]	18 ⁹ / ₁₆ " [472mm]
RRS388		



FRONT VIEW SCALE: 1/2"=1'-0"



SIDE VIEW SCALE: 1/2"=1'-0"