

## BOULEVARD

BDS188

Boulevard 8" Rain Showerhead with 18" Wall Mounted 90 Degree Shower Arm



SHOWN IN BOULEVARD 8" RAIN SHOWERHEAD WITH 18" WALL MOUNTED 90 DEGREE SHOWER ARM | BDS188

### TECHNICAL DETAILS

Adjustable Versus Fixed Spray: Fixed  
 Fittings Hole Diameter: 1 1/4"  
 Flow Restriction Options: 1.5, 1.75, 2.0  
 Inlet Connection Size: 1/2"  
 Inlet Connection Type: Male NPT  
 Pivot: Y  
 Primary Material: Brass  
 Restricted Maximum Flow Rate: 1.75 gpm  
 Water Pressure Maximum: 85.0 psi  
 Water Pressure Minimum: 20.0 psi  
 Water Pressure Recommended: 45.0 psi

### INSPIRATION

Inspiration from 1930s objects evokes extravagance: a strong silhouette, lavish scale and elegant decoration. Machine and artisan hands yield crisp details and curves.

### CODES & STANDARDS

BDS188X, ASME A112.18.1/CSA B125.1, CEC(1.5GPM & 1.75GPM Only), WaterSense(1.5GPM, 1.75GPM & 2.0GPM Only), DOE

### PRODUCT FEATURES

Made of Brass

Features a swivel 8" rain showerhead with easy clean rubber nozzles

Includes a 18" wall mounted 90 degree shower arm

Stocked in Brass, Chrome, Nickel and Matte Nickel

Rain showerhead available in 1.75gpm (6.6L/min) flow rate

### CERTIFICATIONS

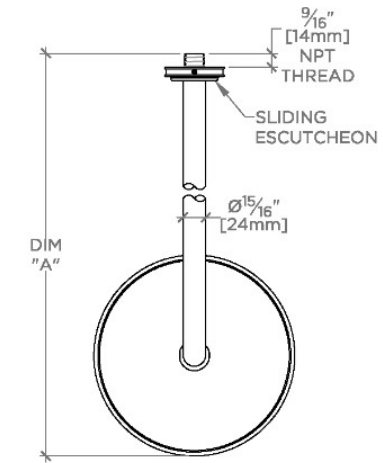


### PRODUCT (NOTES)

## BOULEVARD

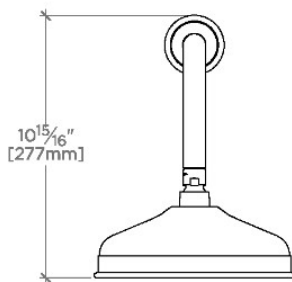
BDS188

Boulevard 8" Rain Showerhead with 18" Wall Mounted 90 Degree Shower Arm

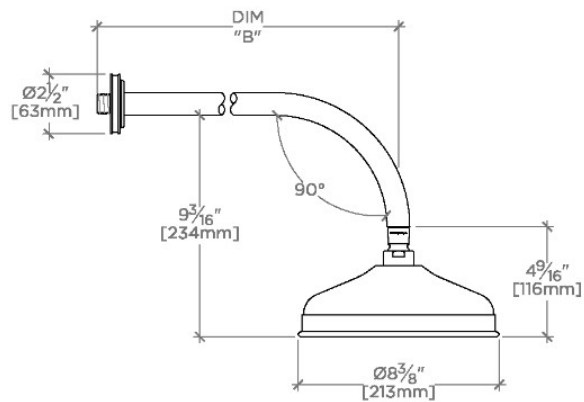


TOP VIEW SCALE: 1 1/2"=1'-0"

STYLE NO.	DIM "A"	DIM "B"
BDS187	16 3/4" [426mm]	12 9/16" [319mm]
BDS188	22 3/4" [578mm]	18 9/16" [472mm]



FRONT VIEW SCALE: 1 1/2"=1'-0"



SIDE VIEW SCALE: 1 1/2"=1'-0"