

HENRY

HNS357

Henry 5" Showerhead with 12" Wall Mounted 90 Degree Shower Arm



SHOWN IN HENRY 5" SHOWERHEAD WITH 12" WALL MOUNTED 90 DEGREE SHOWER ARM | HNS357

TECHNICAL DETAILS

Adjustable Versus Fixed Spray: Adjustable Spray
Fittings Hole Diameter: 1 1/4"
Inlet Connection Size: 1/2"
Inlet Connection Type: Male NPT
Pivot: Y
Primary Material: Brass
Restricted Maximum Flow Rate: 1.75 gpm
Water Pressure Maximum: 85.0 psi
Water Pressure Minimum: 20.0 psi
Water Pressure Recommended: 45.0 psi

INSPIRATION

Influenced by the connection of industry and art Henry easily transitions between modern, traditional, utilitarian and classic settings.

CODES & STANDARDS

PRODUCT FEATURES

Made of Brass

Features a swivel 5" showerhead with three adjustable spray patterns

Includes a 12" wall mounted 90 degree shower arm

Stocked in Brass, Chrome and Nickel

Showerhead available in 1.75gpm (6.6L/min) flow rate

CERTIFICATIONS

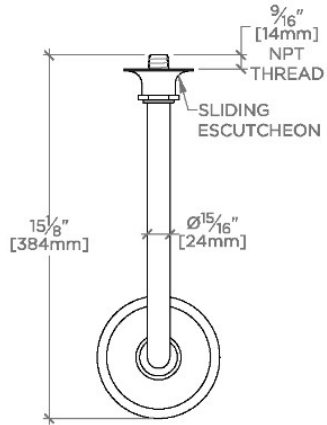
PRODUCT (NOTES)

WATERWORKS

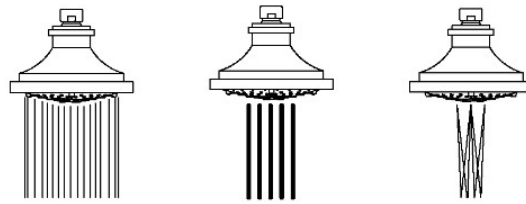
HENRY

HNS357

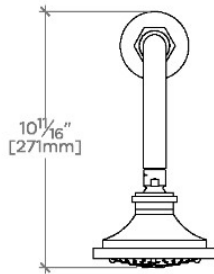
Henry 5" Showerhead with 12" Wall Mounted 90 Degree Shower Arm



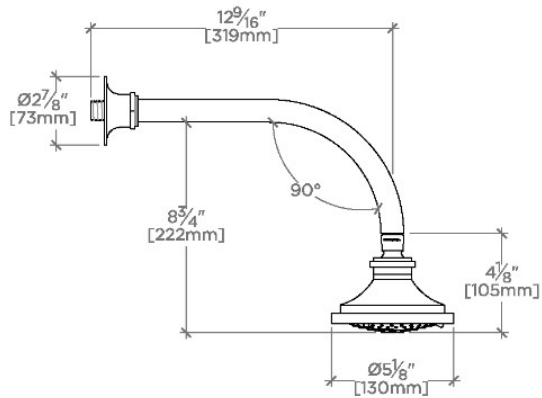
TOP VIEW SCALE: 1/2"=1'-0"



SPRAY PATTERNS



FRONT VIEW SCALE: 1/2"=1'-0"



SIDE VIEW SCALE: 1/2"=1'-0"