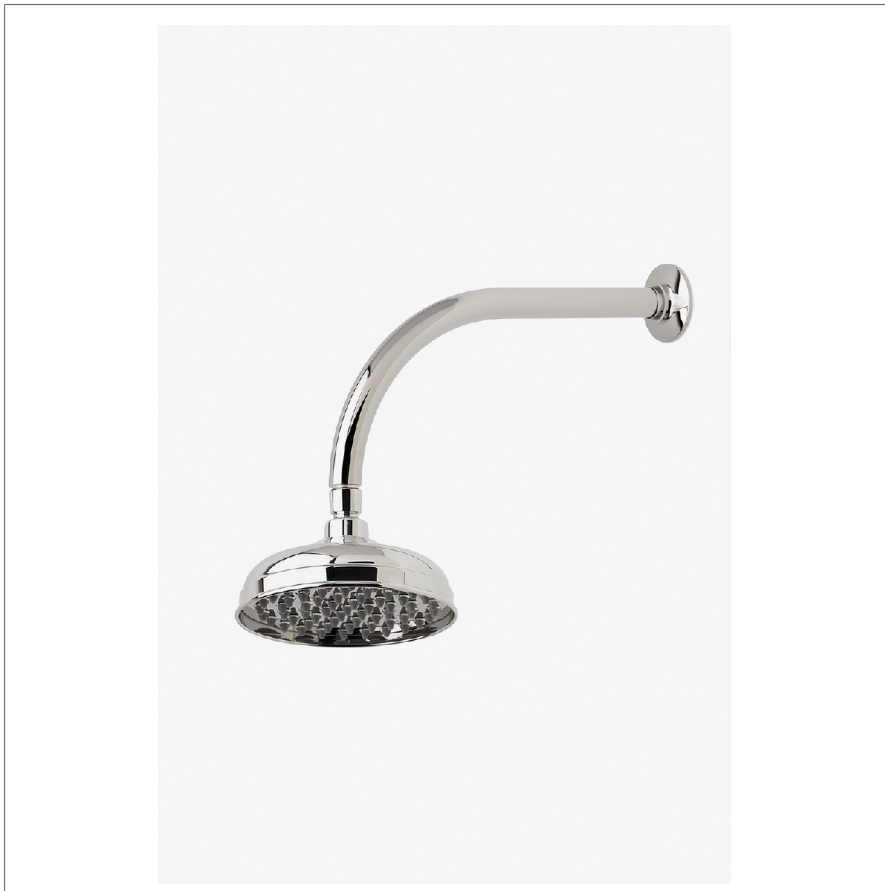


EASTON

EAS167

Easton 6" Showerhead with 12" Wall Mounted 90 Degree Shower Arm



SHOWN IN EASTON 6" SHOWERHEAD WITH 12" WALL MOUNTED 90 DEGREE SHOWER ARM | EAS167

TECHNICAL DETAILS

Adjustable Versus Fixed Spray: Fixed
Fittings Hole Diameter: 1 1/4"
Inlet Connection Size: 1/2"
Inlet Connection Type: Male NPT
Pivot: Y
Primary Material: Brass
Restricted Maximum Flow Rate: 1.75 gpm
Water Pressure Maximum: 85.0 psi
Water Pressure Minimum: 20.0 psi
Water Pressure Recommended: 45.0 psi

INSPIRATION

Drawing on Edwardian style, Easton is the most extensive Waterworks family; a range of moods and a selection of products from fittings to furniture.

CODES & STANDARDS

PRODUCT FEATURES

Made of Brass

Features a swivel 6" showerhead with easy clean rubber nozzles

Includes a 12" wall mounted 90 degree shower arm

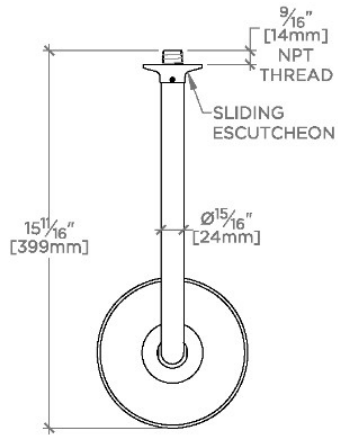
Stocked in Brass, Chrome and Nickel

Showerhead available in 1.75gpm (6.6L/min) flow rate

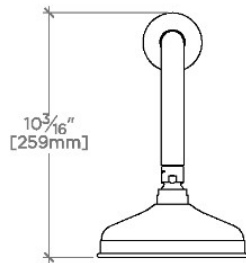
CERTIFICATIONS

PRODUCT (NOTES)

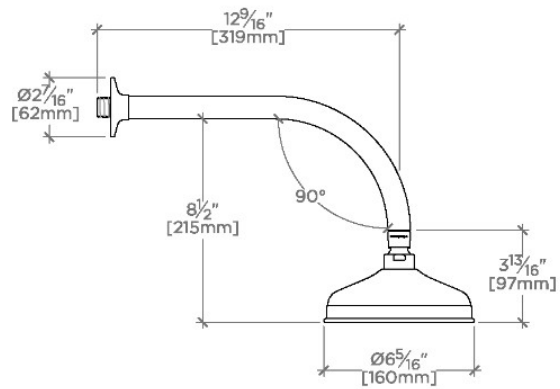
Easton 6" Showerhead with 12" Wall Mounted 90 Degree Shower Arm



TOP VIEW SCALE: 1 1/2" = 1'-0"



FRONT VIEW SCALE: 1 1/2" = 1'-0"



SIDE VIEW SCALE: 1 1/2" = 1'-0"