

JULIA

JUS128

Julia 12" Rain Showerhead with 18" Wall Mounted 90 Degree Shower Arm



SHOWN IN JULIA 12" RAIN SHOWERHEAD WITH 18" WALL MOUNTED 90 DEGREE SHOWER ARM | JUS128

TECHNICAL DETAILS

Adjustable Versus Fixed Spray: Fixed
Fittings Hole Diameter: 1 1/4"
Inlet Connection Size: 1/2"
Inlet Connection Type: Male NPT
Pivot: Y
Primary Material: Brass
Restricted Maximum Flow Rate: 1.75 gpm
Water Pressure Maximum: 85.0 psi
Water Pressure Minimum: 20.0 psi
Water Pressure Recommended: 45.0 psi

INSPIRATION

An interpretation of 1920s French country, Julia speaks to decoration and intricate design displayed through beautifully composed turnings. These details embody the robust, signature high profile spout enabling Julia to transition fluidly from informal to formal environments.

CODES & STANDARDS

PRODUCT FEATURES

- Made of Brass
- Features a swivel 12" rain showerhead with easy clean rubber nozzles
- Includes a 18" wall mounted 90 degree shower arm
- Stocked in Brass, Chrome and Nickel
- Rain showerhead available in 1.75gpm (6.6L/min) flow rate

CERTIFICATIONS

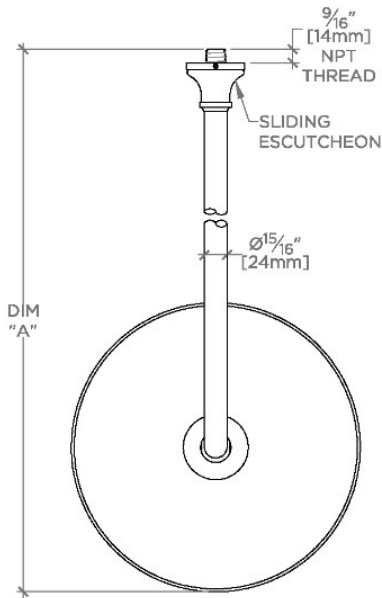
PRODUCT (NOTES)

WATERWORKS

JULIA

JUS128

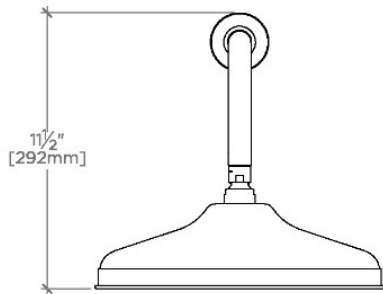
Julia 12" Rain Showerhead with 18" Wall Mounted 90 Degree Shower Arm



TOP VIEW

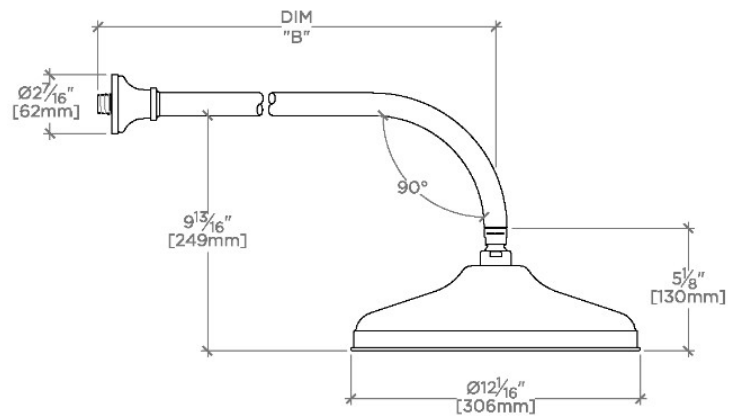
SCALE: 1½"=1'-0"

STYLE NO.	DIM "A"	DIM "B"
ETS128		
FRS128	24 ⁵ / ₈ " [625mm]	18 ⁹ / ₁₆ " [472mm]
JUS128		
ETS129		
FRS129	28 ⁵ / ₈ " [727mm]	22 ⁹ / ₁₆ " [573mm]
JUS129		



FRONT VIEW

SCALE: 1½"=1'-0"



SIDE VIEW

SCALE: 1½"=1'-0"