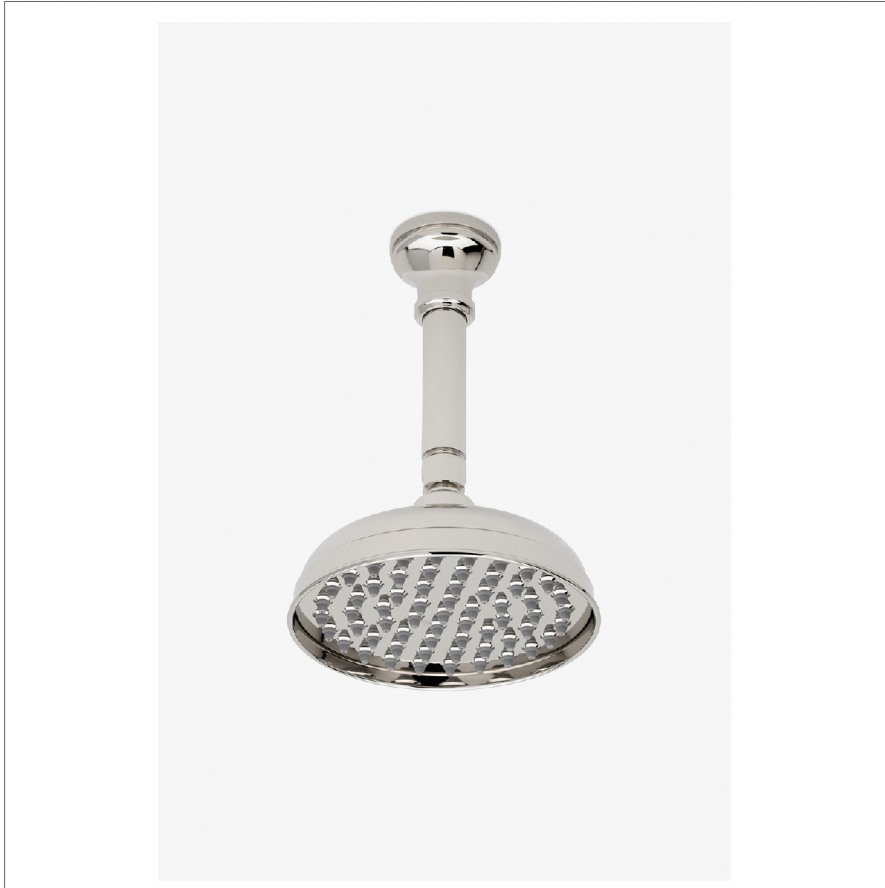


## ETOILE

ETS160

Etoile 6" Showerhead with 6" Ceiling Mounted Shower Arm



SHOWN IN ETOILE 6" SHOWERHEAD WITH 6" CEILING MOUNTED SHOWER ARM | ETS160

### TECHNICAL DETAILS

Adjustable Versus Fixed Spray: Fixed  
Fittings Hole Diameter: 1 1/4"  
Inlet Connection Size: 1/2"  
Inlet Connection Type: Male NPT  
Pivot: Y  
Primary Material: Brass  
Restricted Maximum Flow Rate: 1.75 gpm  
Water Pressure Maximum: 85.0 psi  
Water Pressure Minimum: 20.0 psi  
Water Pressure Recommended: 45.0 psi

### INSPIRATION

Defined elegance. Etoile has a European sophistication with a timeless sense of chic.

### CODES & STANDARDS

### PRODUCT FEATURES

Made of Brass

Features a swivel 6" showerhead with easy clean rubber nozzles

Includes a 6" ceiling mounted shower arm

Stocked in Brass, Chrome and Nickel

Showerhead available in 1.75gpm (6.6L/min) flow rate

### CERTIFICATIONS

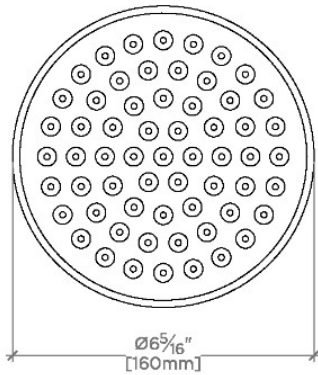
### PRODUCT (NOTES)

# WATERWORKS

## ETOILE

## ETS160

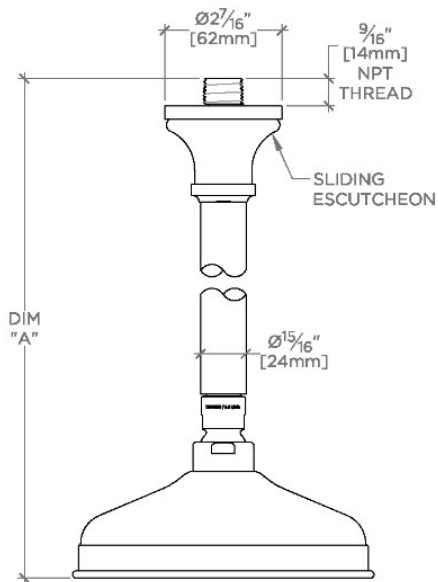
Etoile 6" Showerhead with 6" Ceiling Mounted Shower Arm



CEILING VIEW

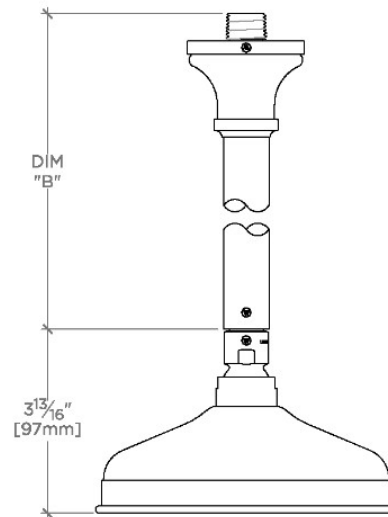
SCALE: 3"=1'-0"

STYLE NO.	DIM "A"	DIM "B"
ETS160	10 <sup>3</sup> / <sub>8</sub> " [264mm]	6 <sup>9</sup> / <sub>16</sub> " [167mm]
FRS160		
JUS160		
ETS161	16 <sup>3</sup> / <sub>8</sub> " [417mm]	12 <sup>9</sup> / <sub>16</sub> " [319mm]
FRS161		
JUS161		



FRONT VIEW

SCALE: 3"=1'-0"



SIDE VIEW

SCALE: 3"=1'-0"