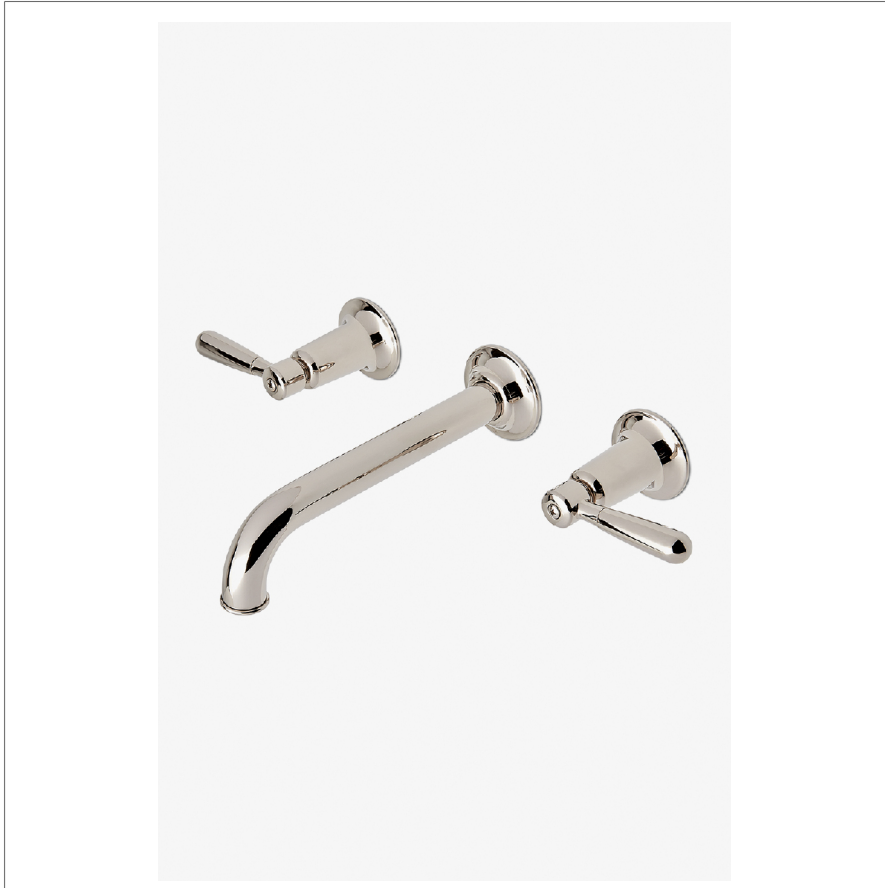


RIVERUN

RRLS71

Riverun Wall Mounted Lavatory Faucet with Lever Handles



SHOWN IN RIVERUN WALL MOUNTED LAVATORY FAUCET WITH LEVER HANDLES | RRLS71

TECHNICAL DETAILS

ADA Compliance: Yes
Drain Depth Maximum: 2"
Drain Depth Minimum: 3/8"
Drain Hole Diameter: 1 1/2"
Drain Style: Push Touch
Fittings Hole Diameter: 1 3/8"
Handle Spread Maximum: 8"
Handle Turn Angle: Quarter Turn
Inlet Connection Size: 1/2"
Inlet Connection Type: Female NPT
Inlet Supply Spread Maximum: 8"
Number Of Holes: Three Hole
Primary Material: Brass
Restricted Maximum Flow Rate: 1.2 gpm
Spout Swivel: N
Water Pressure Maximum: 85.0 psi
Water Pressure Minimum: 20.0 psi
Water Pressure Recommended: 45.0 psi

INSPIRATION

This new American classic was designed with simplicity in mind. Featuring streamlined forms and honest details, it's the epitome of quiet elegance.

CODES & STANDARDS

PRODUCT FEATURES

Features Lever Handles

Includes Universal Push-Touch Drain (UNLD23) which fits 1-1/2" through 1-3/4" drain hole openings

Stocked in Nickel and Brass

Available in 1.2gpm (4.5L/min) flow rate; Requires valve, sold separately: GULV25 (USA) or GU25LV (UK/International)

CERTIFICATIONS

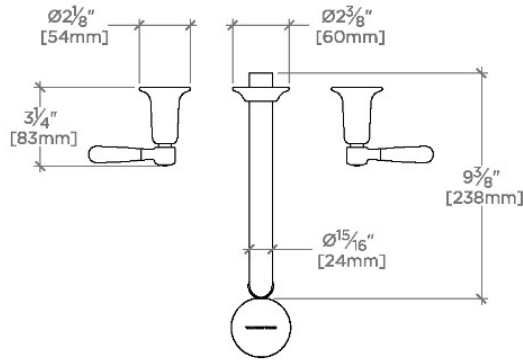
PRODUCT (NOTES)

WATERWORKS

RIVERUN

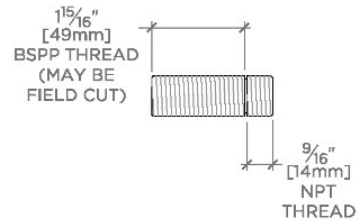
RRLS71

Riverun Wall Mounted Lavatory Faucet with Lever Handles

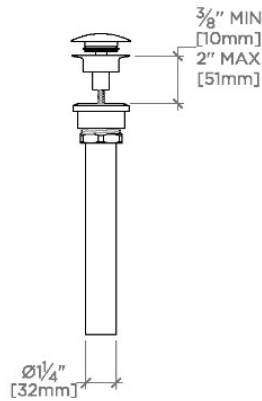
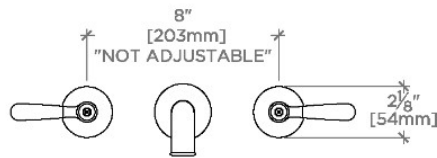


TOP VIEW

SCALE: 1/2"=1'-0"

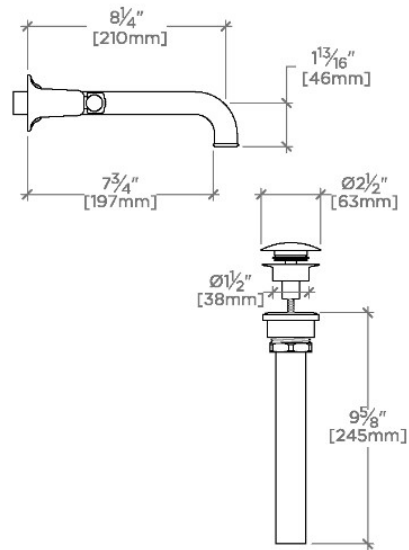


ADAPTER INCLUDED - INTERNATIONAL USE ONLY



FRONT VIEW

SCALE: 1/2"=1'-0"



SIDE VIEW

SCALE: 1/2"=1'-0"