

BOND

BLS490

Bond Solo Series One Hole Lavatory Faucet with Straight Lever Handle



SHOWN IN BOND SOLO SERIES ONE HOLE LAVATORY FAUCET WITH STRAIGHT LEVER HANDLE | BLS490

TECHNICAL DETAILS

ADA Compliance: Yes
 Deck Thickness Maximum: 1 13/16"
 Deck Thickness Minimum: 1/4"
 Drain Depth Maximum: 2 5/8"
 Drain Depth Minimum: 3/8"
 Drain Hole Diameter: 1 3/4"
 Drain Style: Push Touch
 Fittings Hole Diameter: 1 3/8"
 Handle Turn Angle: Quarter Turn
 Inlet Connection Size: 3/8"
 Inlet Connection Type: Compression Connection Hoses
 Number Of Holes: One Hole
 Primary Material: Brass
 Restricted Maximum Flow Rate: 1.2 gpm
 Spout Swivel: Y
 Valve Material: Ceramic
 Water Pressure Maximum: 85.0 psi
 Water Pressure Minimum: 20.0 psi
 Water Pressure Recommended: 45.0 psi

INSPIRATION

Modern designs infused with rare soul and artistry. Explore our wide range of Bond bath and kitchen elements, from fittings to fixtures to hardware.

CODES & STANDARDS

PRODUCT FEATURES

Lever Handle

Includes Universal Push-Touch Drain (UNLD23) which fits 1-1/2" through 1-3/4" drain hole openings

Stocked in Chrome, Nickel, Brass and Dark Nickel

Available in 1.2gpm (4.5L/min) flow rate

CERTIFICATIONS

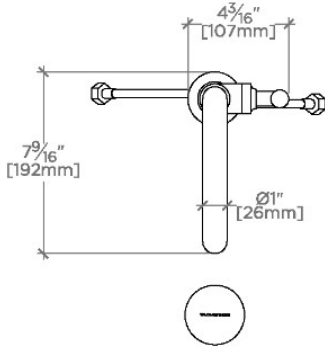
PRODUCT (NOTES)

WATERWORKS

BOND

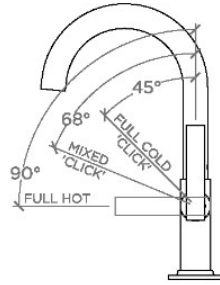
BLS490

Bond Solo Series One Hole Lavatory Faucet with Straight Lever Handle



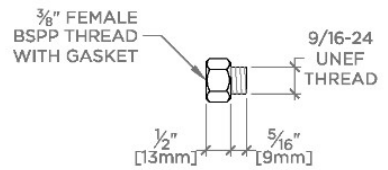
TOP VIEW

SCALE: 1/2"=1'-0"



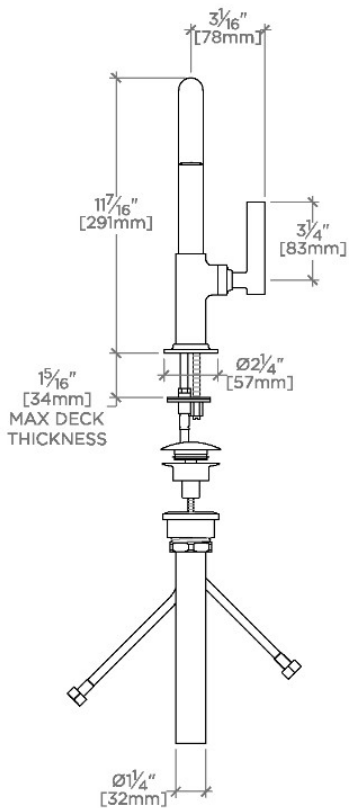
HANDLE OPERATION

† 2 ADAPTERS SUPPLIED
INTERNATIONAL USE ONLY



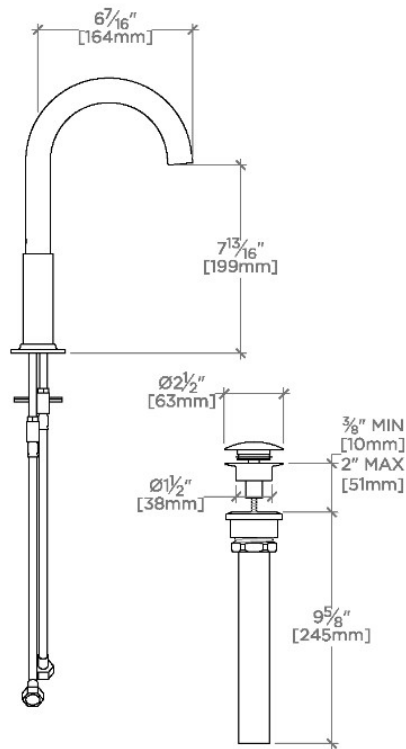
BSPP ADAPTER †

NOT TO SCALE



FRONT VIEW

SCALE: 1/2"=1'-0"



SIDE VIEW

SCALE: 1/2"=1'-0"