

BOND

BKM47S

Bond Rally Series One Hole Gooseneck Bar Faucet with Lever Handles



SHOWN IN BOND RALLY SERIES ONE HOLE GOOSENECK BAR FAUCET WITH LEVER HANDLES | BKM47S

TECHNICAL DETAILS

Deck Thickness Maximum: 1 1/2"
Deck Thickness Minimum: 1/4"
Fittings Hole Diameter: 1 3/8"
Handle Turn Angle: Quarter Turn
Inlet Connection Size: 3/8"
Inlet Connection Type: Compression Connection Hoses
Restricted Maximum Flow Rate: 1.75 gpm
Spout Swivel: Y
Valve Material: Ceramic
Water Pressure Maximum: 85.0 psi
Water Pressure Minimum: 25.0 psi
Water Pressure Recommended: 45.0 psi

INSPIRATION

Modern designs infused with rare soul and artistry. Explore our wide range of Bond bath and kitchen elements, from fittings to fixtures to hardware.

CODES & STANDARDS

PRODUCT FEATURES

Lever Handles

Handle rotates toward the front to prevent contact with backsplash

Features a Sport Black Finish, smooth and velvety to the touch

Stocked in Chrome/Sport Black

CERTIFICATIONS

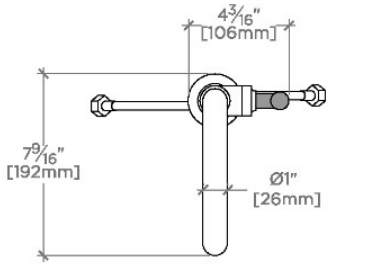
PRODUCT (NOTES)

WATERWORKS

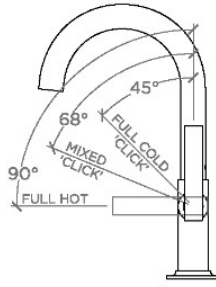
BOND

BKM47S

Bond Rally Series One Hole Gooseneck Bar Faucet with Lever Handles

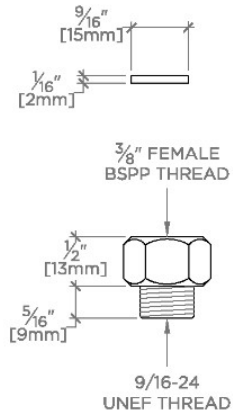


TOP VIEW SCALE: 1/2"=1'-0"

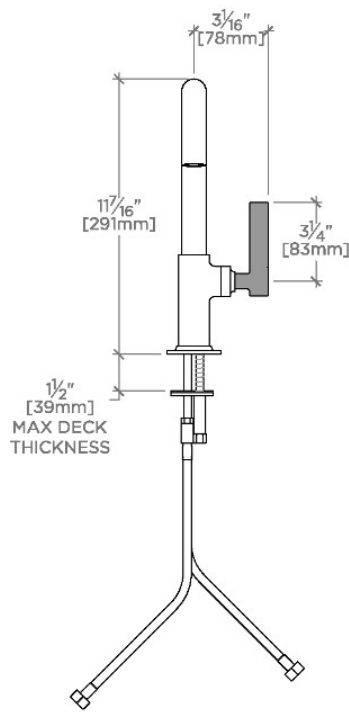


HANDLE OPERATION SCALE: 1/2"=1'-0"

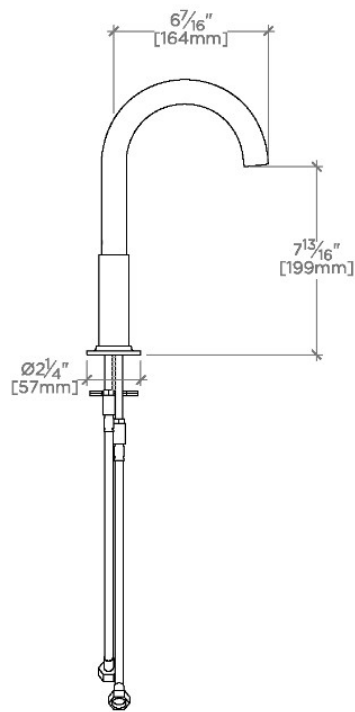
NOTE:
ADAPTER AND GASKET (x2)
INCLUDED - INTERNATIONAL
USE ONLY



NOT TO SCALE



FRONT VIEW SCALE: 1/2"=1'-0"



SIDE VIEW SCALE: 1/2"=1'-0"