

BOND

BTH420

Bond Solo Series Integrated Thermostatic and Two Way Diverter Trim with Knob and Straight Lever Handles



SHOWN IN BOND SOLO SERIES INTEGRATED THERMOSTATIC AND TWO WAY DIVERTER TRIM WITH KNOB AND STRAIGHT LEVER HANDLES | BTH420

TECHNICAL DETAILS

ADA Compliance: Yes
Integrated Diverter: Y
Number Of Holes: Two Hole
Primary Material: Brass

INSPIRATION

Modern designs infused with rare soul and artistry. Explore our wide range of Bond bath and kitchen elements, from fittings to fixtures to hardware.

CODES & STANDARDS

PRODUCT FEATURES

Knob and Lever Handles

Allows bather to adjust temperature of all waterway outlets with a hot limit safety stop providing anti-scald protection

Stocked in Chrome, Nickel, Brass and Dark Nickel

Requires rough valve, sold separately: GUTH72 (USA) or GU72TH (UK/International)

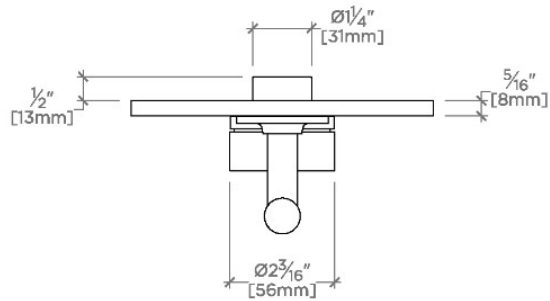
CERTIFICATIONS

PRODUCT (NOTES)

BOND

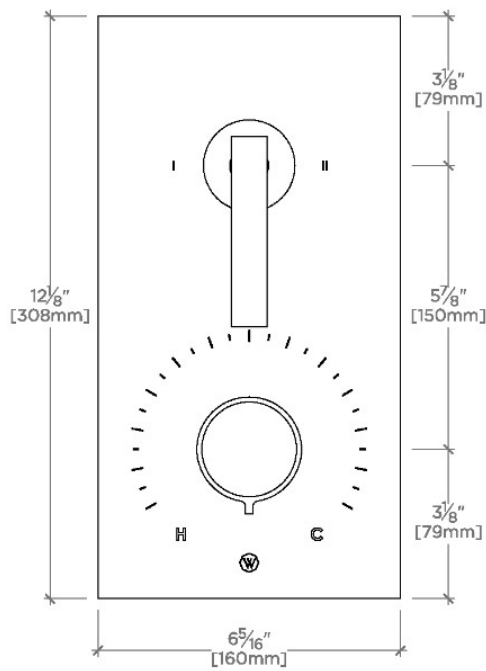
BTH420

Bond Solo Series Integrated Thermostatic and Two Way Diverter Trim with Knob and Straight Lever Handles



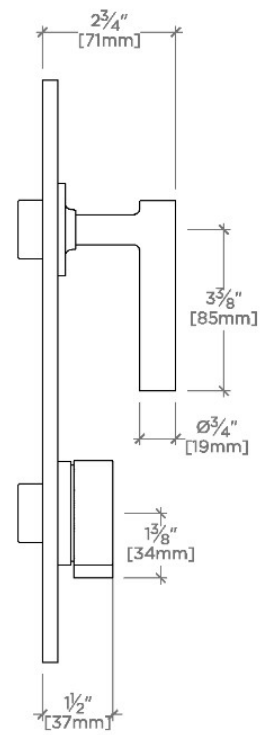
TOP VIEW

SCALE: 3"=1'-0"



FRONT VIEW

SCALE: 3"=1'-0"



SIDE VIEW

SCALE: 3"=1'-0"