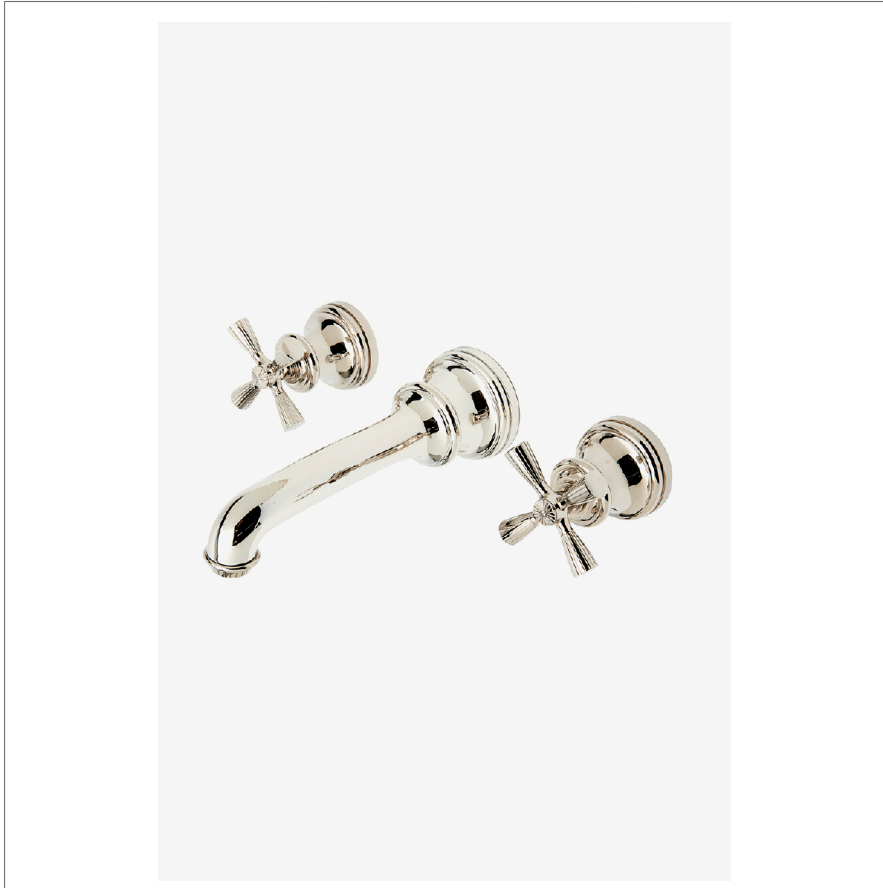


FORO

FRLS60

Foro Three Hole Wall Mounted Lavatory Faucet with Metal Cross Handles



SHOWN IN FORO THREE HOLE WALL MOUNTED LAVATORY FAUCET WITH METAL CROSS HANDLES | FRLS60

TECHNICAL DETAILS

Depth/Width: 8 3/4"
Drain Hole Diameter: 1 3/4"
Drain Style: Lift and Turn
Fittings Hole Diameter: 1 3/8"
Handle Spread Maximum: 8"
Handle Spread Minimum: 8"
Handle Turn Angle: Quarter Turn
Height: 2 15/16"
Inlet Supply Spread Maximum: 8"
Inlet Supply Spread Minimum: 8"
Restricted Maximum Flow Rate: 1.2 gpm
Valve Material: Ceramic
Water Pressure Maximum: 85.0 psi
Water Pressure Minimum: 20.0 psi
Water Pressure Recommended: 45.0 psi

INSPIRATION

A mix of historical references, including finely etched vintage silver, come together in this twist on classical design - a wonderfully elegant formal statement.

CODES & STANDARDS

CEC, State of MA

PRODUCT FEATURES

Metal cross handles

Includes European Size Lift-and-Turn Drain. Requires rough valve, sold separately: GULV27 (US) / GU27LV (UK)

Features signature engraving detail

Stocked in Nickel and Unlacquered Brass

Available in 1.2gpm (4.5L/min) flow rate

CERTIFICATIONS

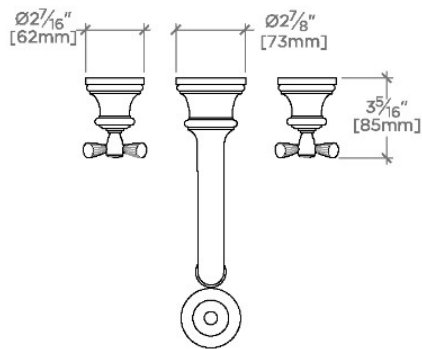
PRODUCT (NOTES)

WATERWORKS

FORO

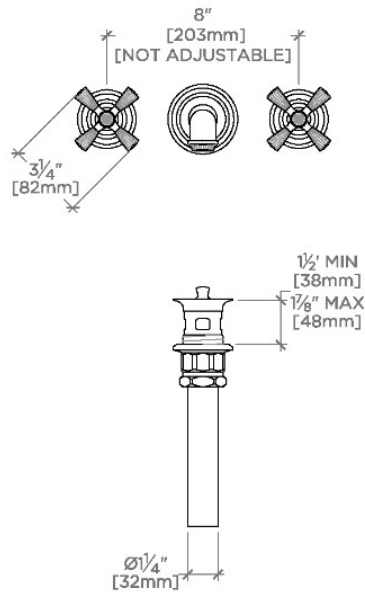
FRLS60

Foro Three Hole Wall Mounted Lavatory Faucet with Metal Cross Handles



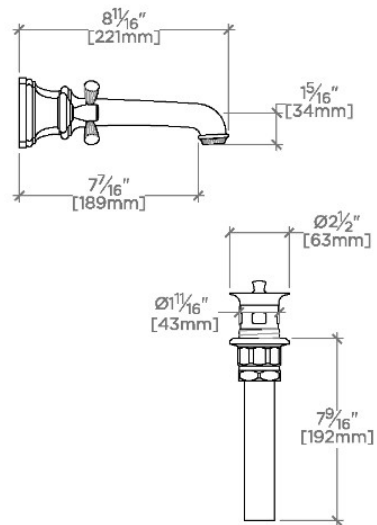
TOP VIEW

SCALE: $1\frac{1}{2}$ "=1'-0"



FRONT VIEW

SCALE: $1\frac{1}{2}$ "=1'-0"



SIDE VIEW

SCALE: $1\frac{1}{2}$ "=1'-0"