

BOND

BKM22P

Bond Solo Series Gooseneck Kitchen Faucet and Spray with Two-Piece Straight Lever Handles



SHOWN IN BOND SOLO SERIES GOOSENECK KITCHEN FAUCET AND SPRAY WITH TWO-PIECE STRAIGHT LEVER HANDLES | BKM22P

TECHNICAL DETAILS

Deck Thickness Maximum: 1 7/16"
 Deck Thickness Minimum: 1/4"
 Fittings Hole Diameter: 1 3/8"
 Handle Turn Angle: Quarter Turn
 Handshower Spray Hose Length: 59"
 Inlet Connection Size: 1/2"
 Inlet Connection Type: Male with Supply Nut
 Integrated Diverter: Y
 Restricted Maximum Flow Rate: 1.75 gpm
 Spout Swivel: Y
 Spray Included In Unit: Y
 Valve Material: Ceramic
 Water Pressure Maximum: 85.0 psi
 Water Pressure Minimum: 25.0 psi
 Water Pressure Recommended: 45.0 psi

INSPIRATION

Modern designs infused with rare soul and artistry. Explore our wide range of Bond bath and kitchen elements, from fittings to fixtures to hardware.

CODES & STANDARDS

PRODUCT FEATURES

- Lever Handles
- Powerful Side spray with push button activation
- Features Two-Piece Straight Lever Handles
- Stocked in Chrome, Nickel, Brass and Dark Nickel
- Available in 1.75gpm (6.6L/min) flow rate

CERTIFICATIONS

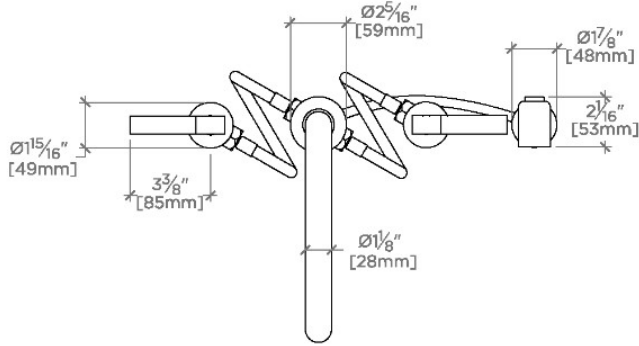
PRODUCT (NOTES)

WATERWORKS

BOND

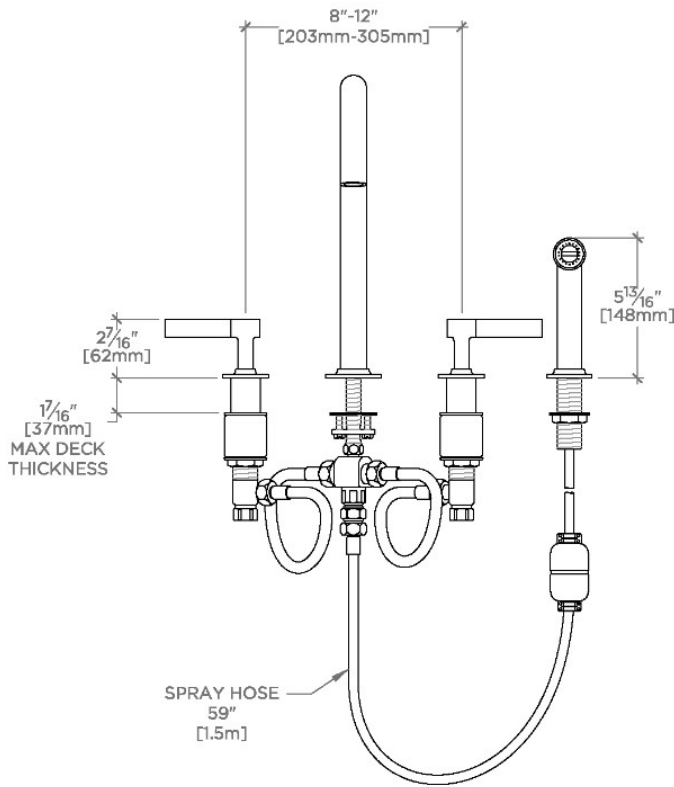
BKM22P

Bond Solo Series Gooseneck Kitchen Faucet and Spray with Two- Piece Straight Lever Handles



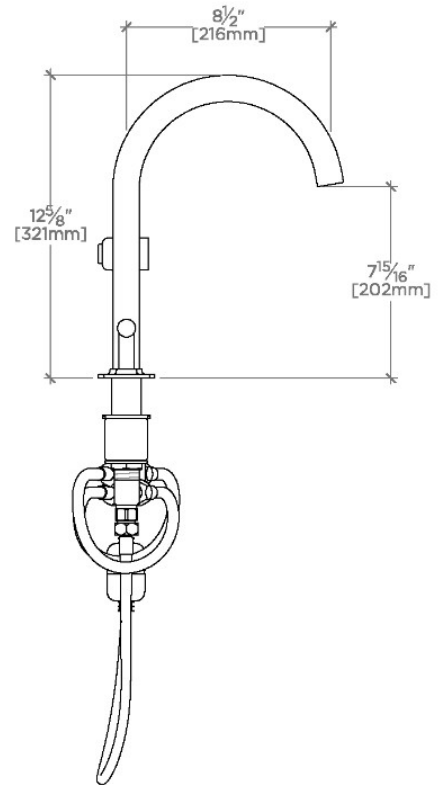
TOP VIEW

SCALE: $1\frac{1}{2}"=1'-0"$



FRONT VIEW

SCALE: $1\frac{1}{2}"=1'-0"$



SIDE VIEW

SCALE: $1\frac{1}{2}"=1'-0"$