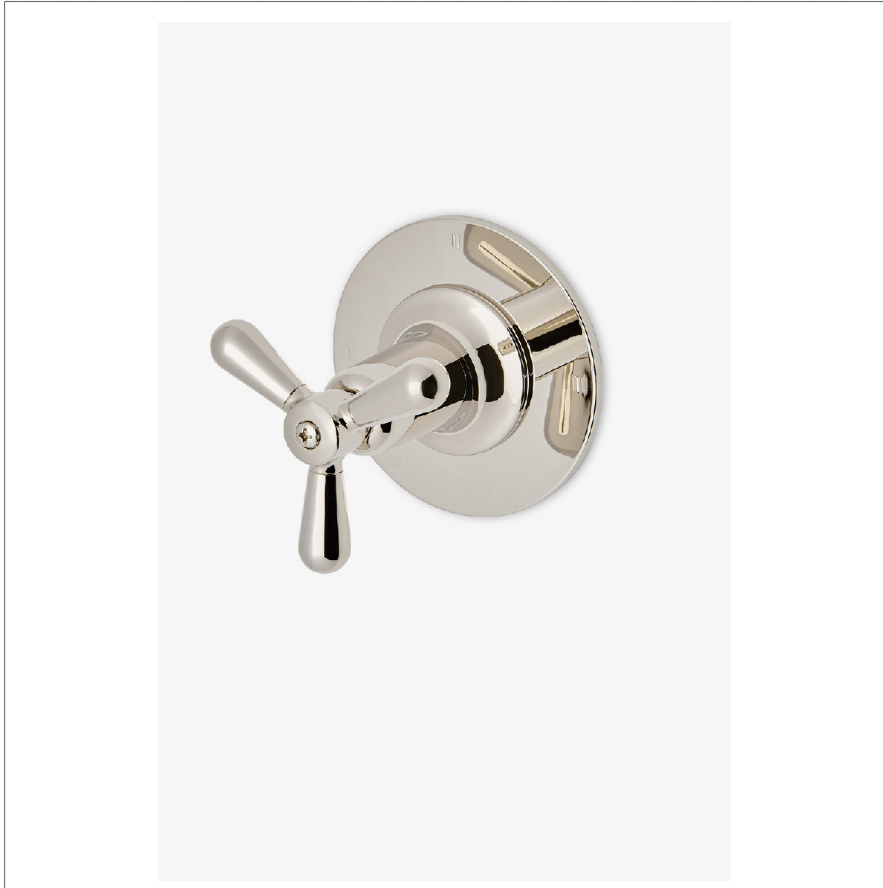


## RIVERUN

RR3P02

Riverun Three Way Diverter Valve Trim for Pressure Balance with Roman Numerals and Tri-Spoke Handle



SHOWN IN RIVERUN THREE WAY DIVERTER VALVE TRIM FOR PRESSURE BALANCE WITH ROMAN NUMERALS AND TRI-SPOKE HANDLE | RR3P02

### TECHNICAL DETAILS

Fittings Hole Diameter: 2"  
Handle Turn Angle: Full Turn  
Number Of Holes: One Hole  
Primary Material: Brass

### INSPIRATION

This new American classic was designed with simplicity in mind. Featuring streamlined forms and honest details, it's the epitome of quiet elegance.

### CODES & STANDARDS

### PRODUCT FEATURES

Features All Metal Tri-Spoke Handle

For use with a Pressure Balance shower system and three waterway outlets such as a handshower, shower head, or tub spout

Feature Roman Numerals representing outlet position

Stocked in Nickel and Brass

Requires rough valve, sold separately: GUDV65

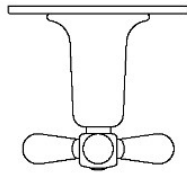
### CERTIFICATIONS

### PRODUCT (NOTES)

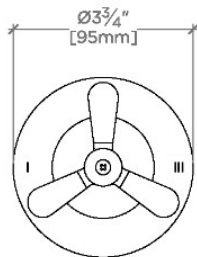
## RIVERUN

RR3P02

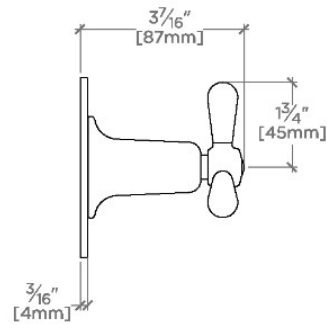
Riverun Three Way Diverter Valve Trim for Pressure Balance  
with Roman Numerals and Tri-Spoke Handle



TOP VIEW SCALE: 3"=1'-0"



FRONT VIEW SCALE: 3"=1'-0"



SIDE VIEW SCALE: 3"=1'-0"