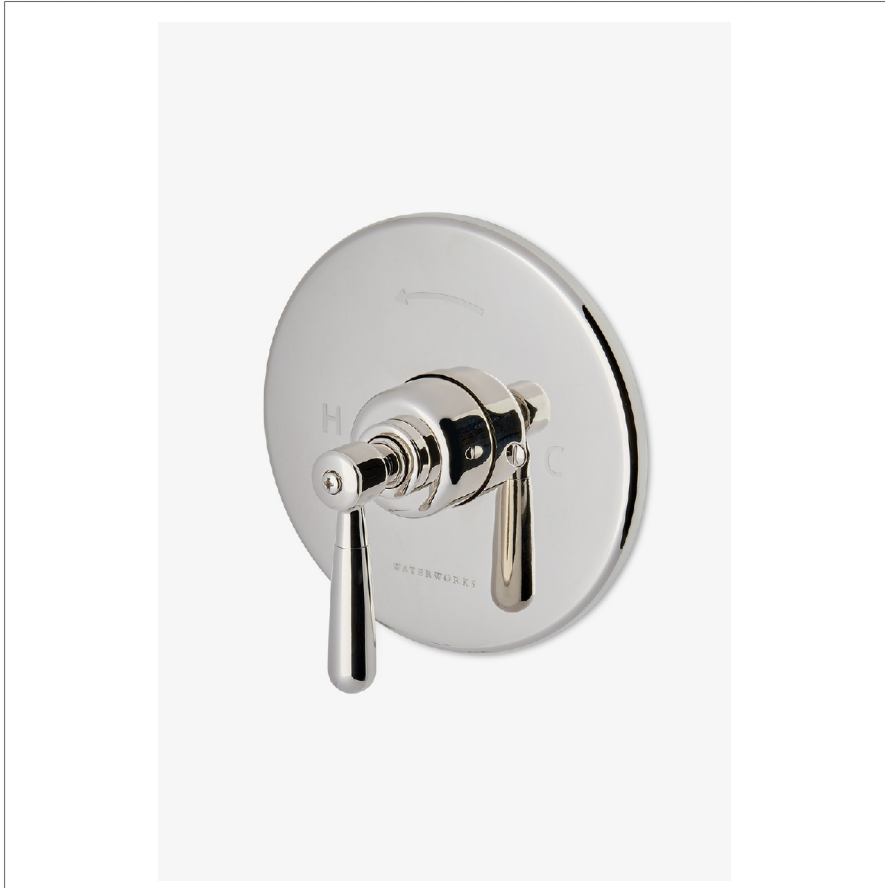


RIVERUN

RRPB11

Riverun Pressure Balance Control Valve Trim with Lever Handle



SHOWN IN RIVERUN PRESSURE BALANCE CONTROL VALVE TRIM WITH LEVER HANDLE | RRPB11

TECHNICAL DETAILS

Fittings Hole Diameter: 3 1/2"
Integrated Diverter: N
Number Of Holes: One Hole
Primary Material: Brass

INSPIRATION

This new American classic was designed with simplicity in mind. Featuring streamlined forms and honest details, it's the epitome of quiet elegance.

CODES & STANDARDS

PRODUCT FEATURES

Features All Metal Lever Handle

Adjust the single handle control to switch water on and adjust temperature

Features anti-scald protection through an integrated high limit safety stop

Stocked in Nickel and Brass

Requires rough valve, sold separately: GUPB81

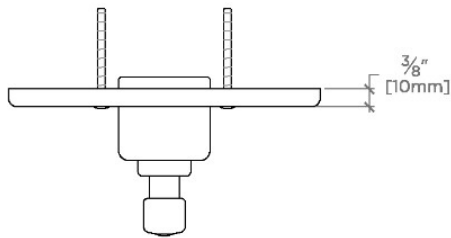
CERTIFICATIONS

PRODUCT (NOTES)

RIVERUN

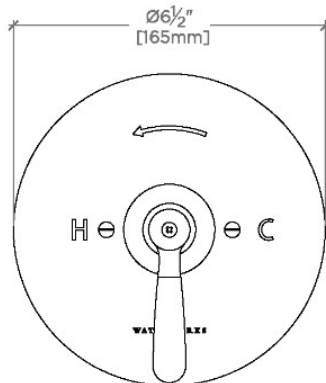
RRPB11

Riverun Pressure Balance Control Valve Trim with Lever Handle



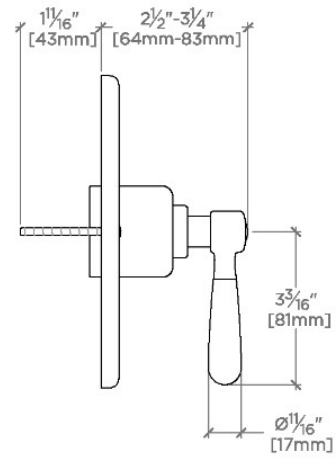
TOP VIEW

SCALE: 3"=1'-0"



FRONT VIEW

SCALE: 3"=1'-0"



SIDE VIEW

SCALE: 3"=1'-0"