

## RIVERUN

RRLS30

Riverun Gooseneck Lavatory Faucet with Two-Tone Lever Handles



SHOWN IN RIVERUN GOOSENECK LAVATORY FAUCET WITH TWO-TONE LEVER HANDLES | RRLS30

### TECHNICAL DETAILS

Deck Thickness Maximum: 1 13/16"  
Deck Thickness Minimum: 1/4"  
Drain Depth Maximum: 2"  
Drain Depth Minimum: 3/8"  
Drain Hole Diameter: 1 1/2"  
Drain Style: Push-Touch  
Fittings Hole Diameter: 1 3/8"  
Handle Spread Maximum: 12"  
Handle Spread Minimum: 8"  
Handle Turn Angle: Quarter Turn  
Inlet Connection Size: 1/2"  
Inlet Connection Type: Male with Supply Nut  
Inlet Supply Spread Maximum: 12"  
Inlet Supply Spread Minimum: 8"  
Number Of Holes: Three Hole  
Primary Material: Brass  
Restricted Maximum Flow Rate: 1.2 gpm  
Spout Swivel: N  
Valve Material: Ceramic  
Water Pressure Maximum: 85.0 psi  
Water Pressure Minimum: 20.0 psi  
Water Pressure Recommended: 45.0 psi

### INSPIRATION

This new American classic was designed with simplicity in mind. Featuring streamlined forms and honest details, it's the epitome of quiet elegance.

### CODES & STANDARDS

### PRODUCT FEATURES

Features Two-Tone Lever Handles

Includes a Universal Push Touch Drain sized to fit US and Euro sink drain openings

Stocked in Nickel/Matte Black and Brass/Matte Black

Available in 1.2gpm (4.5L/min) flow rate

### CERTIFICATIONS

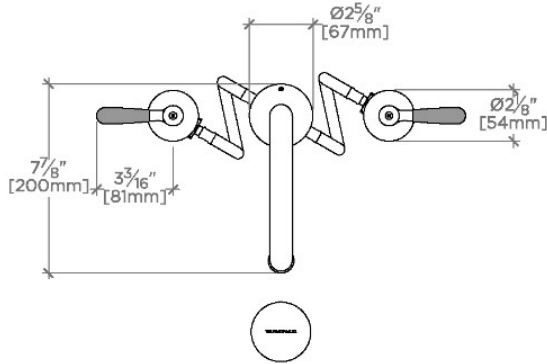
### PRODUCT (NOTES)

# WATERWORKS

## RIVERUN

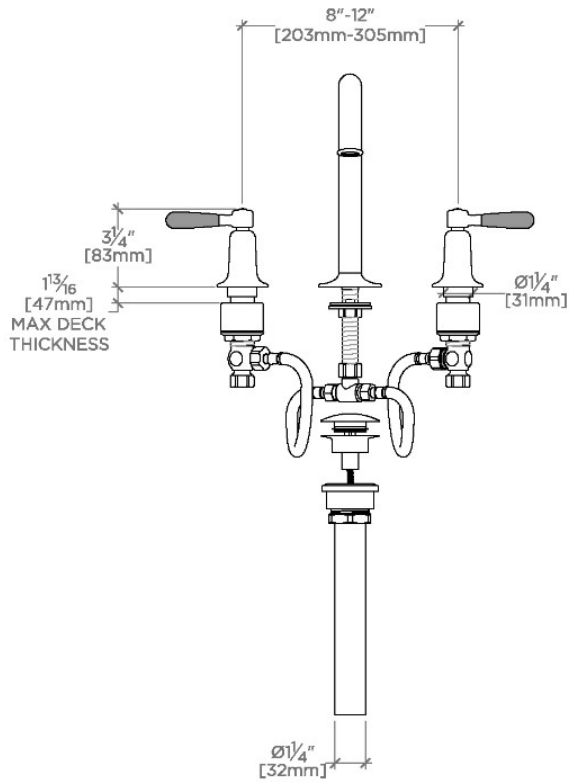
RRLS30

Riverun Gooseneck Lavatory Faucet with Two-Tone Lever Handles



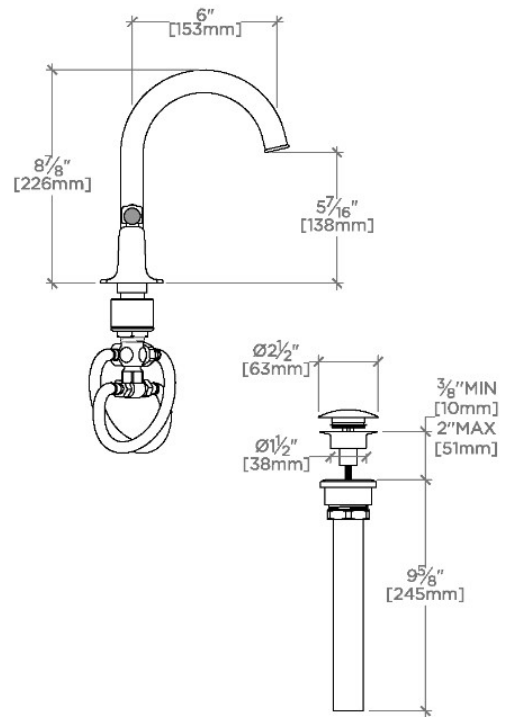
TOP VIEW

SCALE: 1 1/2"=1'-0"



FRONT VIEW

SCALE: 1 1/2"=1'-0"



SIDE VIEW

SCALE: 1 1/2"=1'-0"