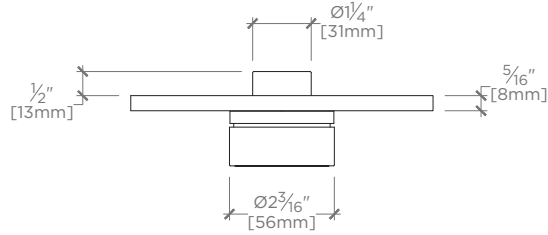
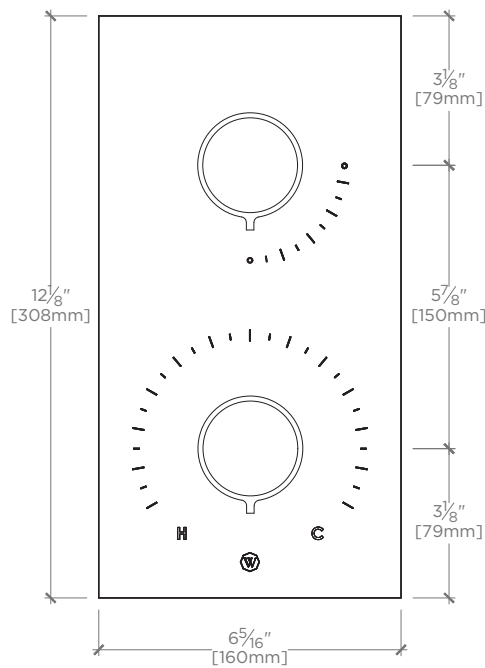


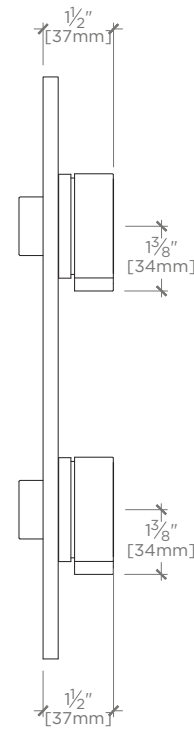
All dimensions are based on original specifications and are subject to change and variation. Please consult your Design Associate for current specifications.



TOP VIEW SCALE: 3"=1'-0"



FRONT VIEW SCALE: 3"=1'-0"



SIDE VIEW SCALE: 3"=1'-0"

Specifications:

Primary Material: Brass

Notes:

Valve required is GUTH71