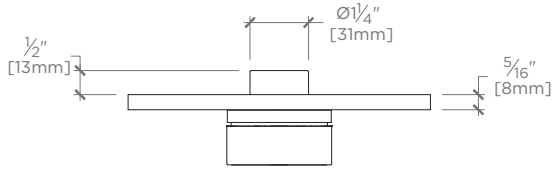


Bond

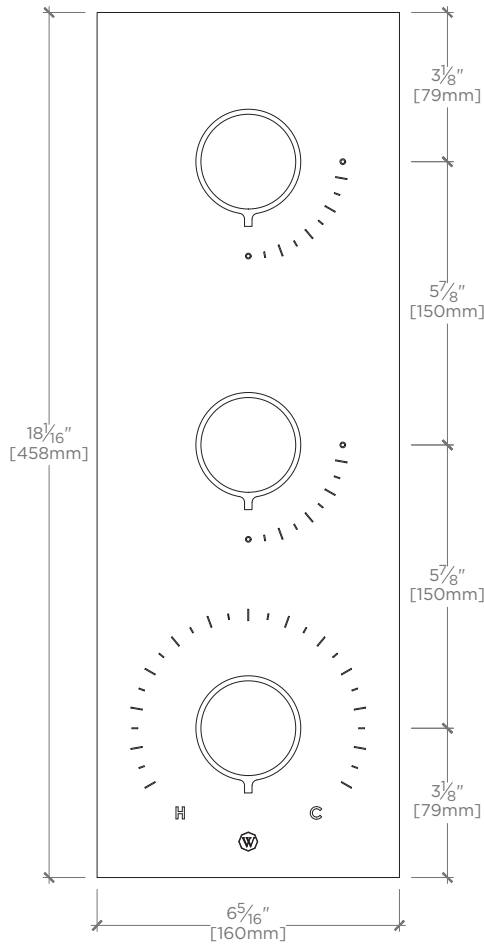
CUSTOM Bond Solo Series Integrated
Thermostatic and Dual Volume Control
Trim with Knob Handles

All dimensions are based on original specifications and are subject to change and variation. Please consult your Design Associate for current specifications.

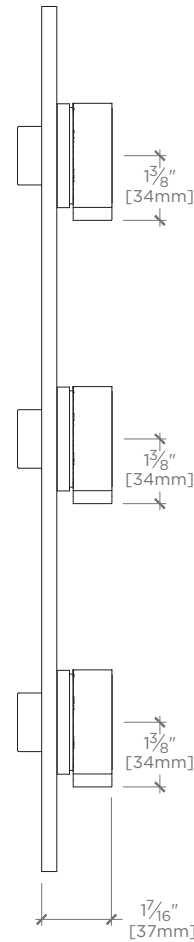
STYLE No. BTH630



TOP VIEW SCALE: 3"=1'-0"



FRONT VIEW SCALE: 3"=1'-0"



SIDE VIEW SCALE: 3"=1'-0"

Specifications:

Primary Material: Brass

Notes:

Valve required is GUTH74