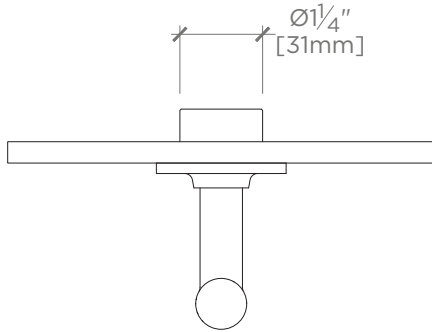
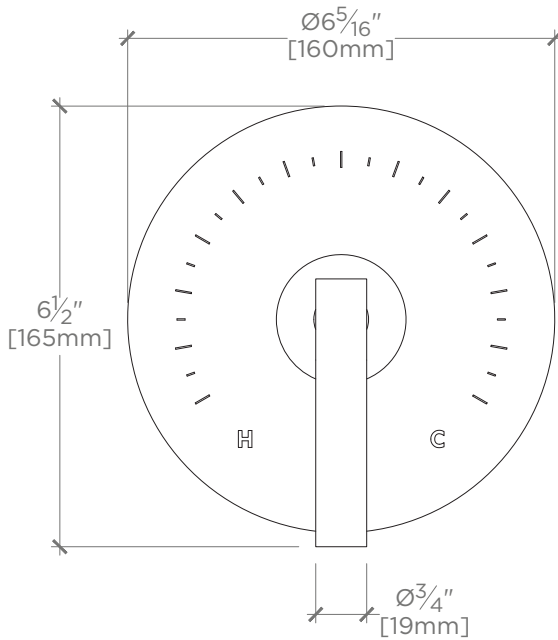


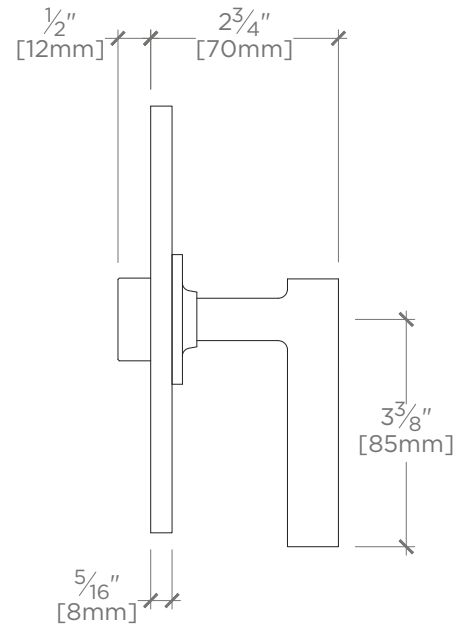
*All dimensions are based on original specifications and are subject to change and variation. Please consult your Design Associate for current specifications.*



TOP VIEW



FRONT VIEW



SIDE VIEW

**SPECIFICATIONS:**

**Required Valve (Sold Separate)**

**GUTH56 or GUTH38**

VALVE	Rough-IN
GUTH56	6" [152mm] <b>MAXIMUM</b> 3-1/2" [89mm] <b>MINIMUM</b>
GUTH38	3-5/8" [92mm] <b>MINIMUM</b>