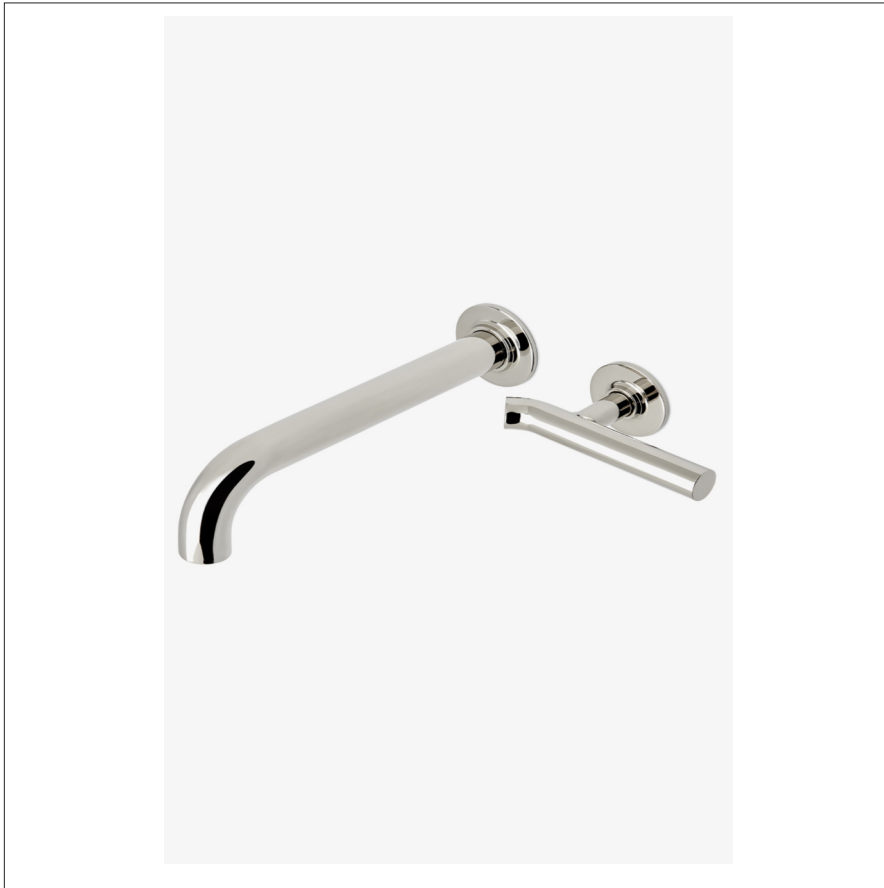


## BOND

BLS310

Bond Solo Series Wall Mounted Lavatory Faucet with Single Lever Handle



### TECHNICAL DETAILS

ADA Compliance: Yes  
Control Valve Rough-in Depth Maximum: 5 1/4"  
Control Valve Rough-in Depth Minimum: 2 3/4"  
Drain Depth Maximum: 2 5/8"  
Drain Hole Diameter: 1 3/4"  
Drain Style: Push Touch  
Drain Style: Push Touch  
Fittings Hole Diameter: 1 3/8"  
Handle Turn Angle: Quarter Turn  
Drain Depth Minimum: 3/8"  
Inlet Connection Size: 1/2"  
Inlet Connection Type: Female NPT  
Number of Holes: Two Hole  
Primary Material: Brass  
Restricted Maximum Flow Rate: 1.2 gpm  
Spout Swivel: N  
Valve Material: Ceramic  
Water Pressure Maximum: 85.0 psi  
Water Pressure Minimum: 20.0 psi  
Water Pressure Recommended: 45.0 psi

### INSPIRATION

Modern bath designs infused with rare soul and artistry. Explore a range of statement-making elements: fittings, washstands, mirrors and more.

### PRODUCT FEATURES

Lever Handle

Includes European size push touch drain

Features Upturned Lever Handle

Stocked in Chrome, Nickel, Brass and Dark Nickel

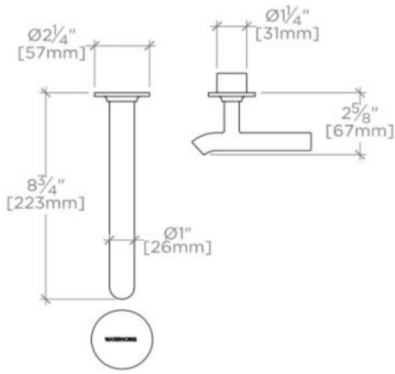
Available in 1.2gpm (4.5L/min) flow rate; Requires rough valve, sold separately: GULV29

# WATERWORKS

## BOND

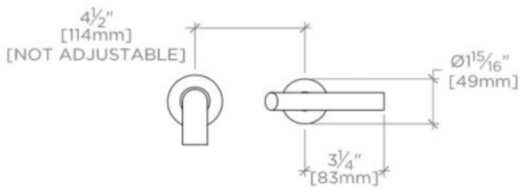
BLS310

Bond Solo Series Wall Mounted Lavatory Faucet with Single Lever Handle



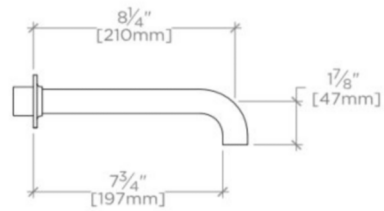
TOP VIEW

SCALE:  $1\frac{1}{2}"=1'-0"$



FRONT VIEW

SCALE:  $1\frac{1}{2}"=1'-0"$



SIDE VIEW

SCALE:  $1\frac{1}{2}"=1'-0"$

