

## FORO

FRXT70

Foro Floor Mounted Exposed Tub Filler with Metal Handshower and Lever Handles



### TECHNICAL DETAILS

Adjustable versus Fixed Spray: Fixed  
Fittings Hole Diameter: 1 1/4"  
Handle Spread Maximum: 7 1/4"  
Handle Spread Minimum: 7 1/4"  
Handle Turn Angle: Quarter Turn  
Handshower / Spray Hose Length: 59"  
Depth / Width: 12"  
Height: 43 3/8"  
Inlet Connection Size: 3/4"  
Inlet Connection Type: Sweat  
Inlet Supply Spread Maximum: 7 1/4"  
Inlet Supply Spread Minimum: 7 1/4"  
Length: 13 1/4"  
Valve Material: Ceramic  
Water Pressure Maximum: 85.0 psi  
Water Pressure Minimum: 20.0 psi  
Water Pressure Recommended: 45.0 psi

### INSPIRATION

A mix of historical references, including finely etched vintage silver, come together in this twist on classical design to create a wonderfully elegant formal statement.

### PRODUCT FEATURES

Metal lever handles

Diverter handle allows bather to move water from spout to handshower. Handshower features 3" head with rubber nozzles

Features signature engraving detail

Stocked in Nickel and Unlacquered Brass

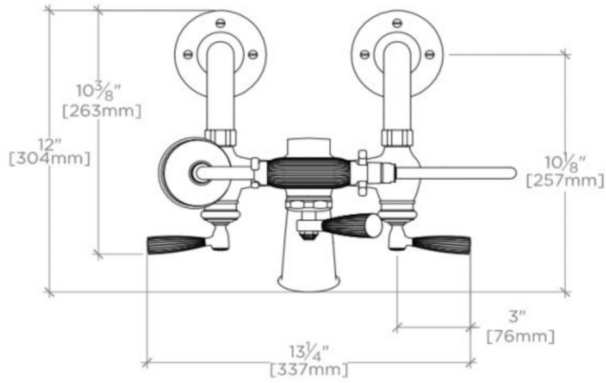
Unrestricted flow for tub spout. Handshower available in 1.75gpm (6.6L/min) flow rate

# WATERWORKS

## FORO

## FRXT70

Foro Floor Mounted Exposed Tub Filler with Metal Handshower and Lever Handles



TOP VIEW

SCALE: 1/2"=1'-0"

