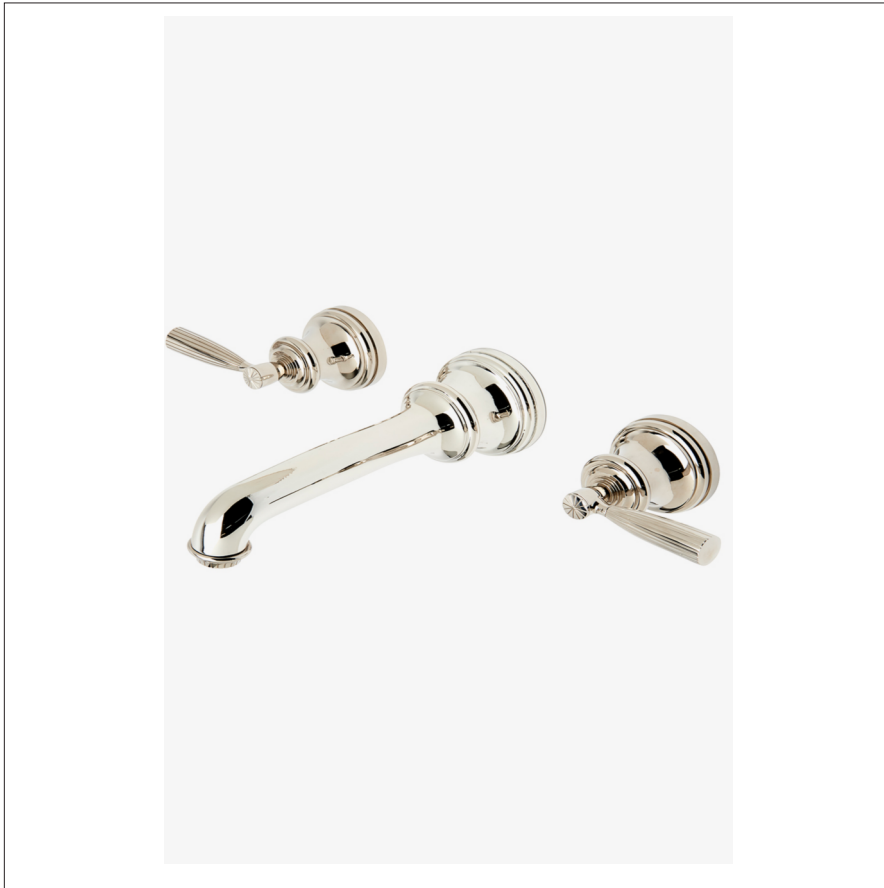


## FORO

FRLS70

Foro Three Hole Wall Mounted Lavatory Faucet with Metal Lever Handles



### TECHNICAL DETAILS

Control Valve Rough-in Depth Maximum: 4 1/2"  
Control Valve Rough-in Depth Minimum: 2 3/4"  
Drain Hole Diameter: 1 3/4"  
Drain Style: Lift and Turn  
Fittings Hole Diameter: 1 3/8"  
Handle Spread Maximum: 8"  
Handle Spread Minimum: 8"  
Handle Turn Angle: Quarter Turn  
Depth / Width: 8 3/4"  
Height: 2 15/16"  
Inlet Supply Spread Maximum: 8"  
Inlet Supply Spread Minimum: 8"  
Restricted Maximum Flow Rate: 1.2 gpm  
Valve Material: Ceramic  
Water Pressure Maximum: 85.0 psi  
Water Pressure Minimum: 20.0 psi  
Water Pressure Recommended: 45.0 psi

### INSPIRATION

A mix of historical references, including finely etched vintage silver, come together in this twist on classical design - a wonderfully elegant formal statement.

### PRODUCT FEATURES

Metal lever handles

Includes European Size Lift-and-Turn Drain. Requires rough valve, sold separately: GULV25 (US) / GU25LV (UK)

Features signature engraving detail

Stocked in Nickel and Unlacquered Brass

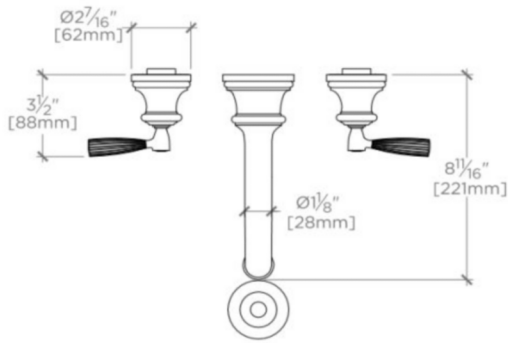
Available in 1.2gpm (4.5L/min) flow rate

# WATERWORKS

## FORO

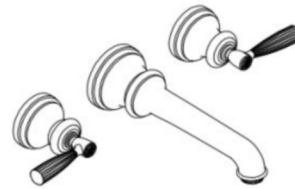
FRLS70

Foro Three Hole Wall Mounted Lavatory Faucet with Metal Lever Handles



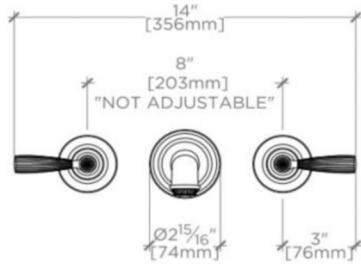
TOP VIEW

SCALE:  $1\frac{1}{2}$ "=1'-0"



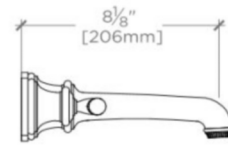
ISO VIEW

SCALE:  $1\frac{1}{2}$ "=1'-0"



FRONT VIEW

SCALE:  $1\frac{1}{2}$ "=1'-0"



SIDE VIEW

SCALE:  $1\frac{1}{2}$ "=1'-0"

