

FORO

FRVC10

Foro Volume Control Valve Trim with Metal Lever Handle



TECHNICAL DETAILS

Control Hole Diameter Recommended: 1 3/8"
Fittings Hole Diameter: 1 3/8"
Handle Turn Angle: Quarter Turn
Depth / Width: 3 1/2"
Height: 4 1/4"
Length: 2 7/16"
Valve Material: Ceramic

INSPIRATION

A mix of historical references, including finely etched vintage silver, come together in this twist on classical design - a wonderfully elegant formal statement.

PRODUCT FEATURES

Metal lever handle

Used to control water flow to a single waterway outlet such as a showerhead, handshower, or tub spout

Features signature engraving detail

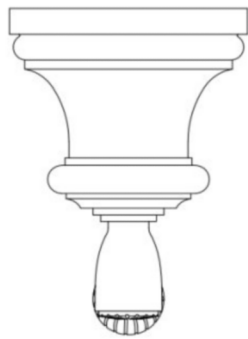
Stocked in Nickel and Unlacquered Brass

Requires rough valve, sold separately: GUV16 (US) / GU16VC (UK) or GUV17 (US) / GU17VC (UK)

FORO

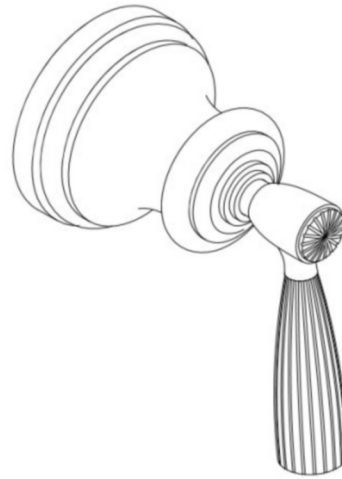
FRVC10

Foro Volume Control Valve Trim with Metal Lever Handle



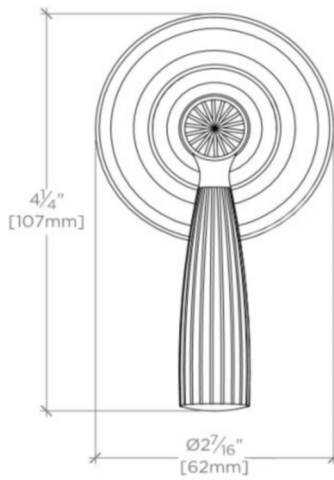
TOP VIEW

SCALE: 6"=1'-0"



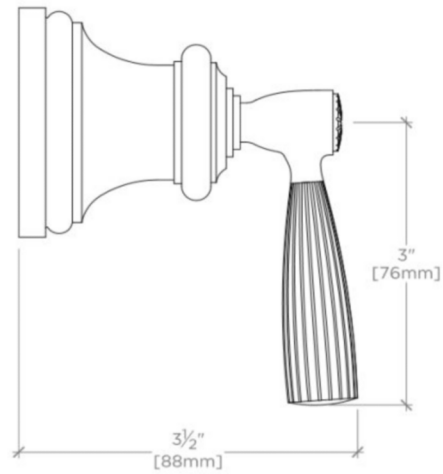
ISO VIEW

SCALE: 6"=1'-0"



FRONT VIEW

SCALE: 6"=1'-0"



SIDE VIEW

SCALE: 6"=1'-0"