

AERO

AE2T01

Aero Two Way Diverter Valve Trim for Thermostatic with Metal Cross Handle



TECHNICAL DETAILS

Diverter Valve Rough-in Depth Maximum: 4 5/8"
Diverter Valve Rough-in Depth Minimum: 2 1/2"
Handle Turn Angle: Quarter Turn Each Way
Depth / Width: 3 1/8"
Height: 3 3/4"
Length: 3 3/4"

INSPIRATION

Inspired by the stepped detail of 19th century telescopes, Aero is a combination of historical reference with a contemporary temperament. The result is original and modern, bringing a look of updated elegance.

PRODUCT FEATURES

Metal cross handle

For use with a Thermostatic shower system and two waterway outlets such as a handshower, shower head, or tub spout

Features signature stepped and gadrooned details on escutcheon

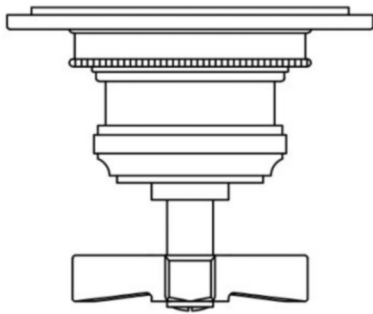
Stocked in Chrome and Nickel

Requires rough valve, sold separately: GUDV14 (US) / GU14DV (UK)

AERO

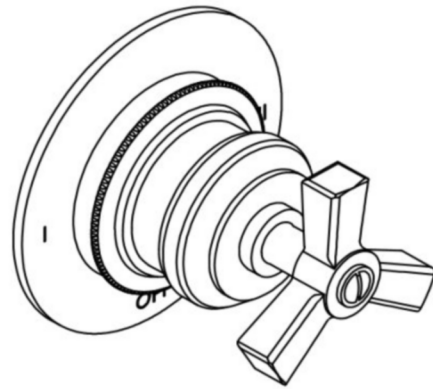
AE2T01

Aero Two Way Diverter Valve Trim for Thermostatic with Metal Cross Handle



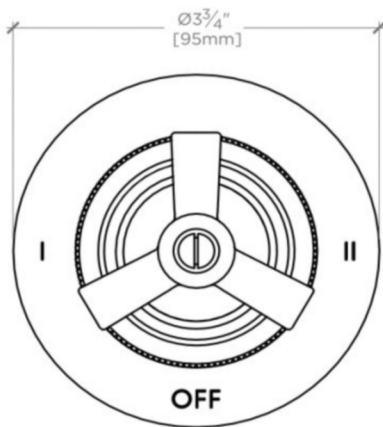
TOP VIEW

SCALE: 6"=1'-0"



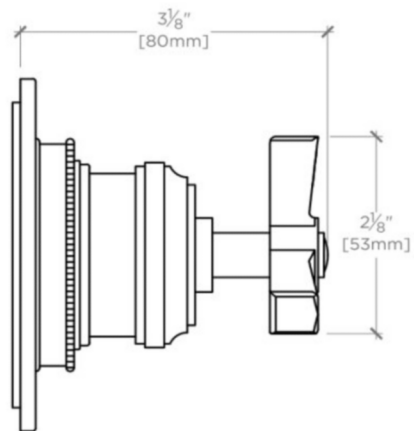
ISO VIEW

SCALE: 6"=1'-0"



FRONT VIEW

SCALE: 6"=1'-0"



SIDE VIEW

SCALE: 6"=1'-0"