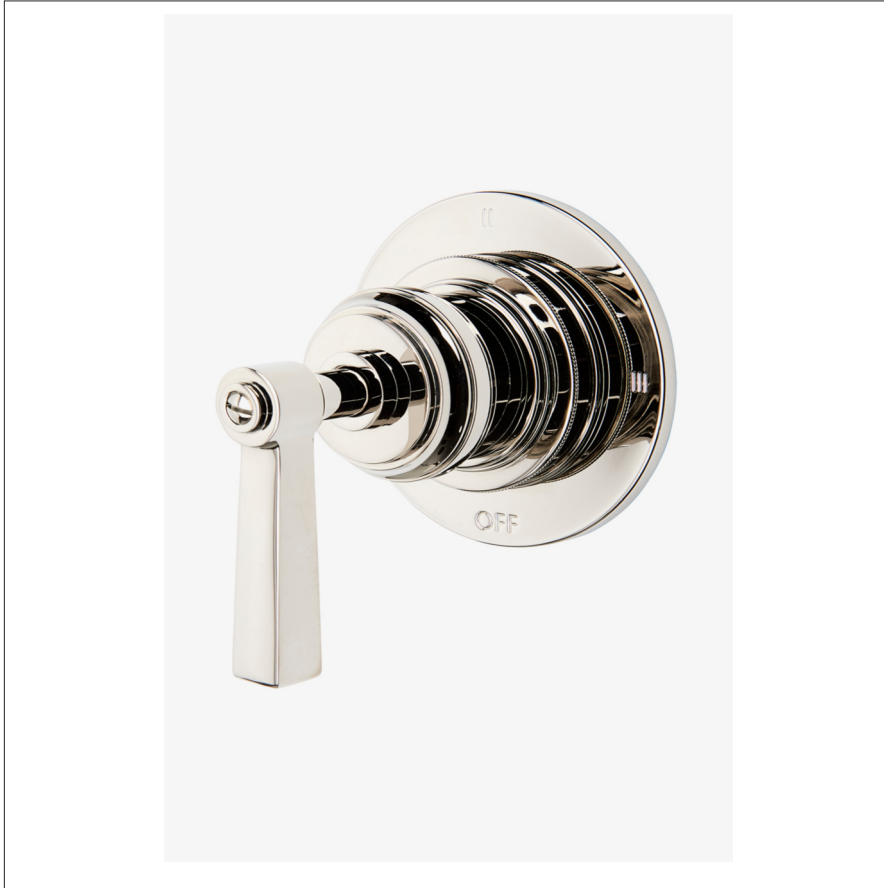


AERO

AE3T10

Aero Three Way Diverter Valve Trim for Thermostatic with Metal Lever Handle



TECHNICAL DETAILS

Diverter Valve Rough-in Depth Maximum: 4 5/8"
Diverter Valve Rough-in Depth Minimum: 2 1/2"
Depth / Width: 3 3/16"
Height: 4 5/8"
Length: 3 3/4"

INSPIRATION

Inspired by the stepped detail of 19th century telescopes, Aero is a combination of historical reference with a contemporary temperament. The result is original and modern, bringing a look of updated elegance.

PRODUCT FEATURES

Metal lever handle

For use with a Thermostatic shower system and three waterway outlets such as a handshower, shower head, or tub spout

Features signature stepped and gadrooned details on escutcheon

Stocked in Chrome and Nickel

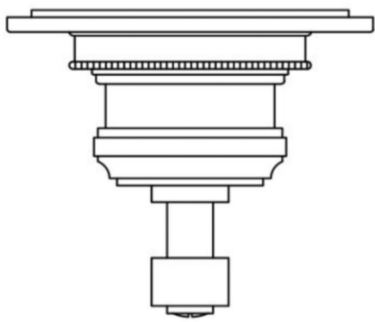
Requires rough valve, sold separately: GUDV66 (US) / GU66DV(UK)

WATERWORKS

AERO

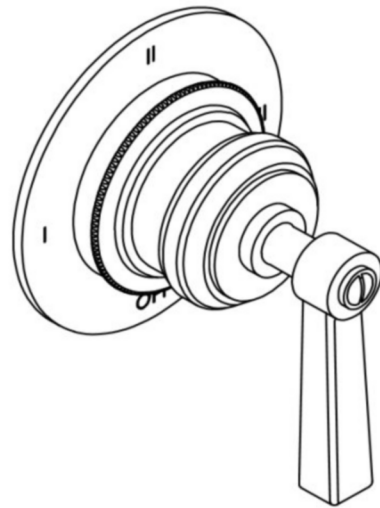
AE3T10

Aero Three Way Diverter Valve Trim for Thermostatic with Metal
Lever Handle



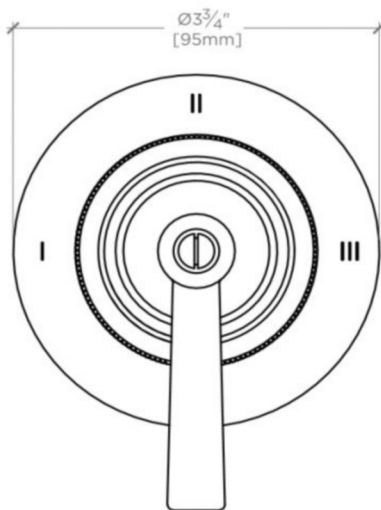
TOP VIEW

SCALE: 6"=1'-0"



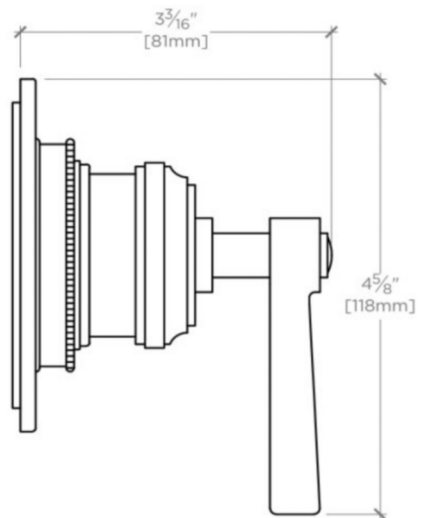
ISO VIEW

SCALE: 6"=1'-0"



FRONT VIEW

SCALE: 6"=1'-0"



SIDE VIEW

SCALE: 6"=1'-0"