

## AERO

## AEXT40

Aero Deck Mounted Exposed Tub Filler with Metal Handshower and Cross Handles



### TECHNICAL DETAILS

Adjustable versus Fixed Spray: Adjustable Spray  
Deck Thickness Maximum: 1 13/16"  
Deck Thickness Minimum: 1/4"  
Handle Spread Maximum: 6"  
Handle Spread Minimum: 6"  
Handle Turn Angle: Quarter Turn  
Handshower / Spray Hose Length: 59"  
Depth / Width: 11 3/8"  
Height: 18 5/16"  
Inlet Connection Size: 3/4"  
Inlet Connection Type: Male NPT  
Length: 8 7/16"  
Spray Included in Unit: Y  
Valve Material: Ceramic  
Water Pressure Maximum: 80.0 psi  
Water Pressure Minimum: 25.0 psi  
Water Pressure Recommended: 45.0 psi

### INSPIRATION

Inspired by the stepped detail of 19th century telescopes, Aero is a combination of historical reference with a contemporary temperament. The result is original and modern, bringing a look of updated elegance.

### PRODUCT FEATURES

Metal cross handles

Diverter button allows bather to move water from spout to handshower with a 2" head and adjustable spray

Features signature stepped and gadrooned details on escutcheons and edge of spout

Stocked in Chrome and Nickel

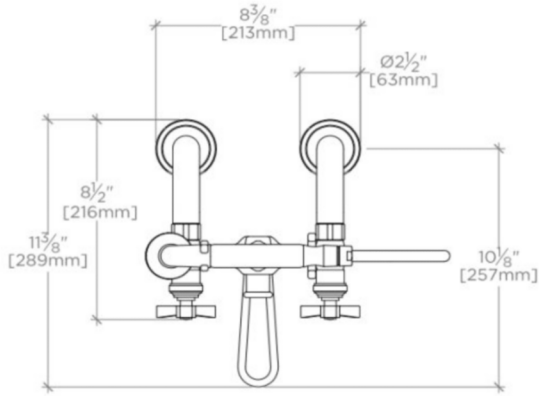
Unrestricted flow for tub spout. Stocked in 2.5gpm (9.5L/min) flow rate for handshower. Alternate flow regulation of 1.75gpm (6.6/min) also available as special order

# WATERWORKS

## AERO

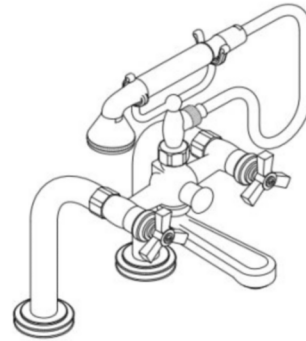
## AEXT40

Aero Deck Mounted Exposed Tub Filler with Metal Handshower and Cross Handles



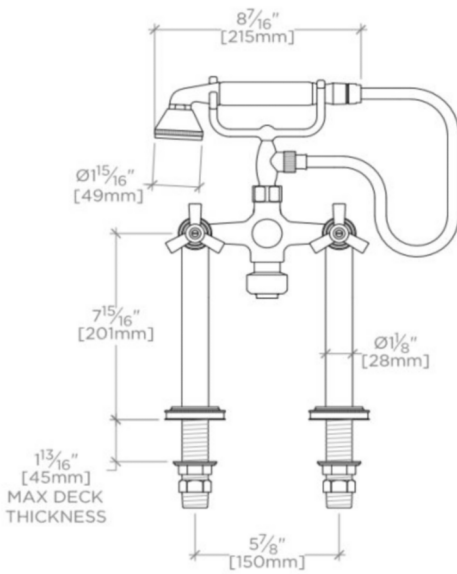
TOP VIEW

SCALE: 1/2"=1'-0"



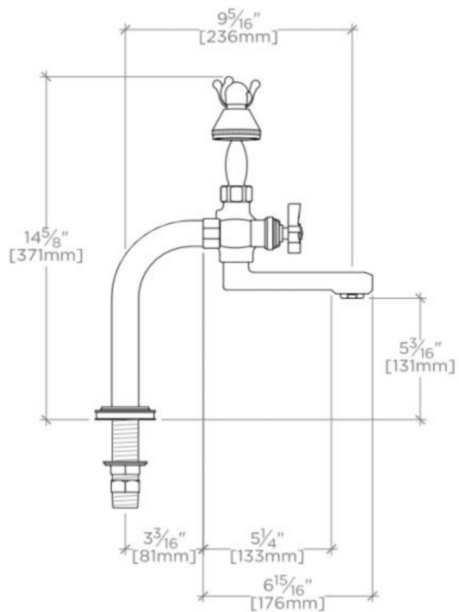
ISO VIEW

SCALE: 1/2"=1'-0"



FRONT VIEW

SCALE: 1/2"=1'-0"



SIDE VIEW

SCALE: 1/2"=1'-0"