

## UNIVERSAL

UNWD31

Universal Industrial One Hole Instant Filtered Hot Water Dispenser with Lever Handle



FILEDESCRIPTION

### TECHNICAL DETAILS

Deck Thickness Maximum: 3"  
Deck Thickness Minimum: 1/4"  
Escutcheon Primary Material: Brass  
Fittings Hole Diameter: 1 3/8"  
Depth / Width: 7 3/8"  
Height: 6 9/16"  
Inlet Connection Size: 1/4"  
Inlet Connection Type: Tube OD  
Installation Type: Deck Mounted  
Length: 2 1/2"  
Number of Holes: One Hole  
Primary Material: Brass  
Spout Swivel: Y  
Suggested Application: Bar, Kitchen, Laundry  
Valve Material: Ceramic  
Water Pressure Maximum: 85.0 psi  
Water Pressure Minimum: 20.0 psi  
Water Pressure Recommended: 45.0 psi

### INSPIRATION

Our Universal collection features timeless designs complementing any of our Waterworks. With a wide range of product, from fittings to accessories, Universal adds exquisite proportion and balance to any environment.

### PRODUCT FEATURES

Single Handle Operation

Spout can swivel 360°

On demand, 190° hot water

Universal, low profile design complements any Kitchen Mixer

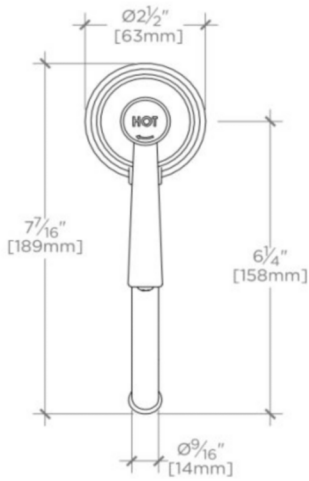
Available 1.0gpm (3.8L/min)

# WATERWORKS

## UNIVERSAL

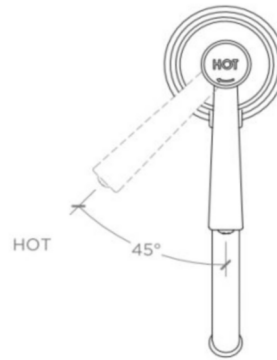
UNWD31

Universal Industrial One Hole Instant Filtered Hot Water Dispenser  
with Lever Handle



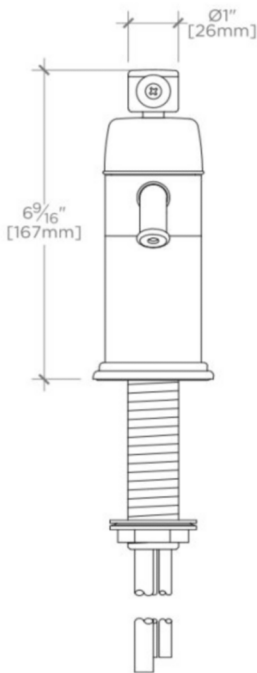
TOP VIEW

SCALE: 3"=1'-0"



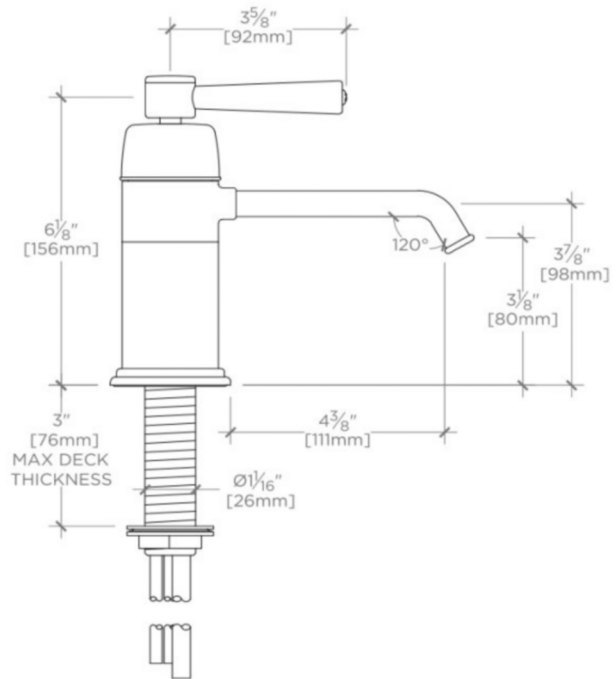
HANDLE OPERATION VIEW

SCALE: 3"=1'-0"



FRONT VIEW

SCALE: 3"=1'-0"



SIDE VIEW

SCALE: 3"=1'-0"