

FORMWORK

FMKM50

Formwork Three Hole Gooseneck Kitchen Faucet with Metal Lever Handles and Spray



SHOWN IN FORMWORK THREE HOLE GOOSENECK KITCHEN FAUCET WITH METAL LEVER HANDLES AND SPRAY| FMKM50

TECHNICAL DETAILS

Deck Thickness Maximum: 2"
Deck Thickness Minimum: 3/8"
Escutcheon Primary Material: Brass
Fitting Hole Configuration / Number: Three
Fittings Hole Diameter: 1 3/8"
Flow Restriction Options: 2.0, 1.75, 1.5
Handle Spread Minimum: 8"
Handle Turn Angle: Quarter Turn
Handshower / Spray Hose Length: 59"
Depth / Width: 10 1/16"
Height: 13 3/16"
Inlet Connection Size: 1/2"
Inlet Connection Type: Male with Supply Nut
Integrated Diverter: Y
Integrated Spray: Y
Number of Holes: Four Hole
Primary Material: Brass
Restricted Maximum Flow Rate: 2.2 gpm
Spray Included in Unit: Y
Suggested Application: Bar, Kitchen, Laundry
Valve Material: Ceramic
Water Pressure Maximum: 85.0 psi
Water Pressure Minimum: 20.0 psi
Water Pressure Recommended: 45.0 psi

INSPIRATION

Sculptural forms that defy the ordinary. Unexpected geometry and the transition of the planes create a subtle but warm expression.

PRODUCT FEATURES

Three hole faucet with side spray.

8 1/2" Gooseneck swivel spout.

Shapely lever handles.

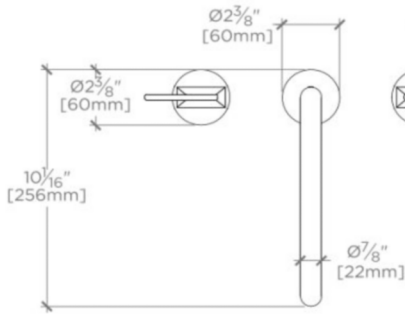
Standard flow rate is 2.2gpm (8.3 L/min) and State of California requires a maximum of 1.8gpm(6.8 L/min). Also available in other flow options. Contact a sales associate for details.

WATERWORKS

FORMWORK

FMKM50

Formwork Three Hole Gooseneck Kitchen Faucet with Metal Lever Handles and Spray



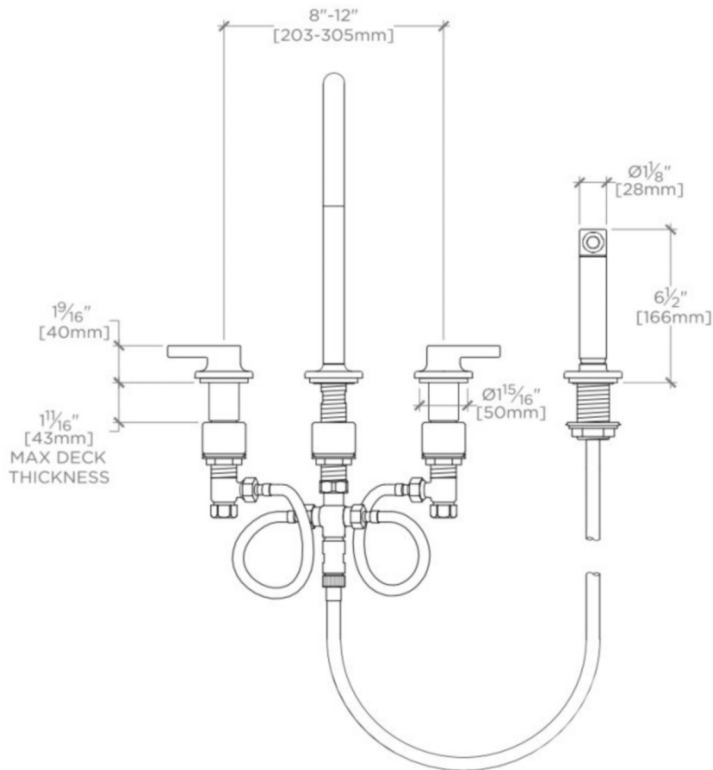
TOP VIEW

SCALE: 1 1/2"=1'-0"



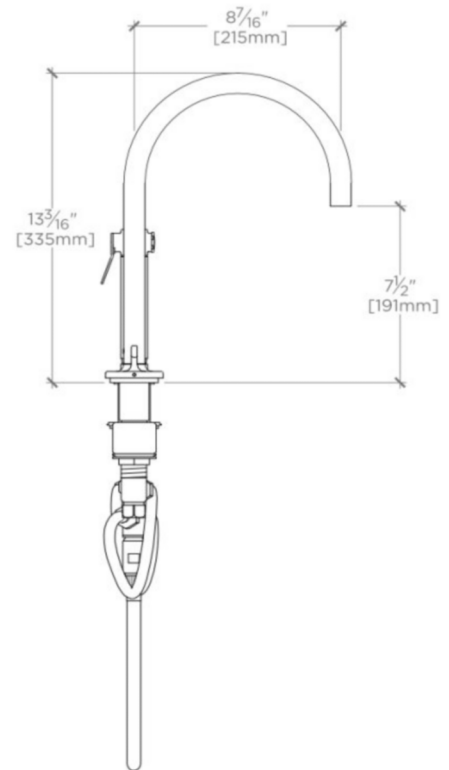
ISO VIEW

SCALE: 1 1/2"=1'-0"



FRONT VIEW

SCALE: 1 1/2"=1'-0"



SIDE VIEW

SCALE: 1 1/2"=1'-0"