

DASH

DSXT40

Dash Deck Mounted Exposed Tub Filler with Metal Handshower and Cross Handles



SHOWN IN DASH DECK MOUNTED EXPOSED TUB FILLER WITH METAL HANDSHOWER AND CROSS HANDLES| DSXT40

TECHNICAL DETAILS

Adjustable versus Fixed Spray: Fixed Spray
 Deck Thickness Maximum: 1 11/16"
 Deck Thickness Minimum: 0"
 Diameter of Head: 2 3/8"
 Escutcheon Primary Material: Brass
 Fittings Hole Diameter: 1 1/8"
 Flow Restriction Options: 2.5, 2.2, 2.0, 1.75, 1.5, 1.2, 0.92
 Handle Spread Maximum: 8"
 Handle Spread Minimum: 8"
 Handle Turn Angle: Quarter Turn
 Handshower / Spray Hose Length: 59"
 Depth / Width: 10"
 Height: 16 5/16"
 Inlet Connection Size: 3/4"
 Inlet Connection Type: Male NPT
 Inlet Supply Spread Maximum: 8"
 Inlet Supply Spread Minimum: 8"
 Installation Type: Deck Mounted
 Integrated Diverter: Y
 Integrated Spray: N
 Length: 15 1/16"
 Number of Handles: Two
 Number of Holes: Two Hole
 Pivot: Y
 Primary Material: Brass
 Spout Swivel: N
 Spray Included in Unit: Y
 Suggested Application: Bath
 Valve Material: Ceramic
 Water Pressure Maximum: 85.0 psi
 Water Pressure Minimum: 20.0 psi
 Water Pressure Recommended: 45.0 psi

INSPIRATION

A blend of art and function, Dash pays homage to design elements of the 1930s with pared-down shapes, softened curves and minimal details.

PRODUCT FEATURES

Metal Cross Handle

Includes Required Unions for Mounting

Stocked in Nickel, Chrome, Unlacquered Brass, and Matte Nickel finishes

Stocked in 2.5gpm (9.5 L/min) and 1.75gpm (6.6 L/min) for handshower. State of California requires 1.75gpm (6.6 L/min) to comply with their water conservation requirements. Other flow options are available to order, contact your sales associate or call 1 (800) 899-6757 for details.

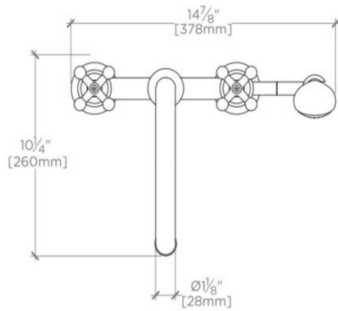


WATERWORKS

DASH

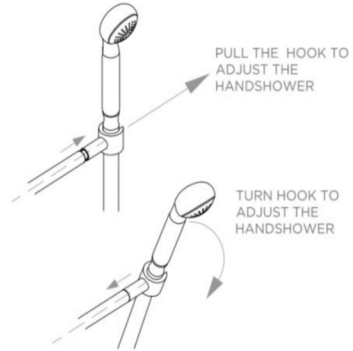
DSXT40

Dash Deck Mounted Exposed Tub Filler with Metal Handshower and Cross Handles



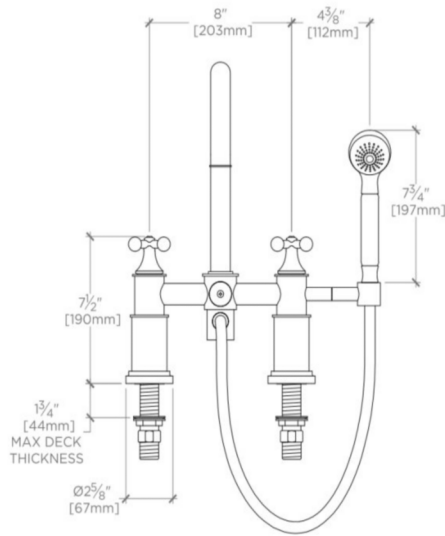
TOP VIEW

SCALE: $\frac{1}{2}"=1'-0"$



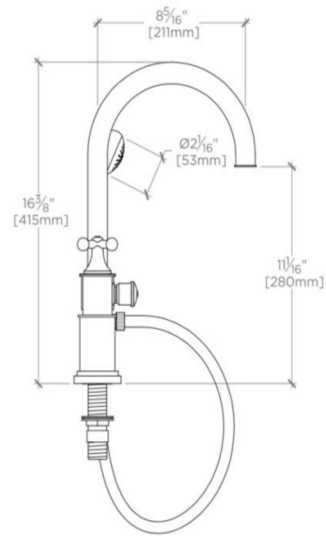
HANDSHOWER ADJUSTMENT

SCALE: $\frac{1}{2}"=1'-0"$



FRONT VIEW

SCALE: $\frac{1}{2}"=1'-0"$



SIDE VIEW

SCALE: $\frac{1}{2}"=1'-0"$