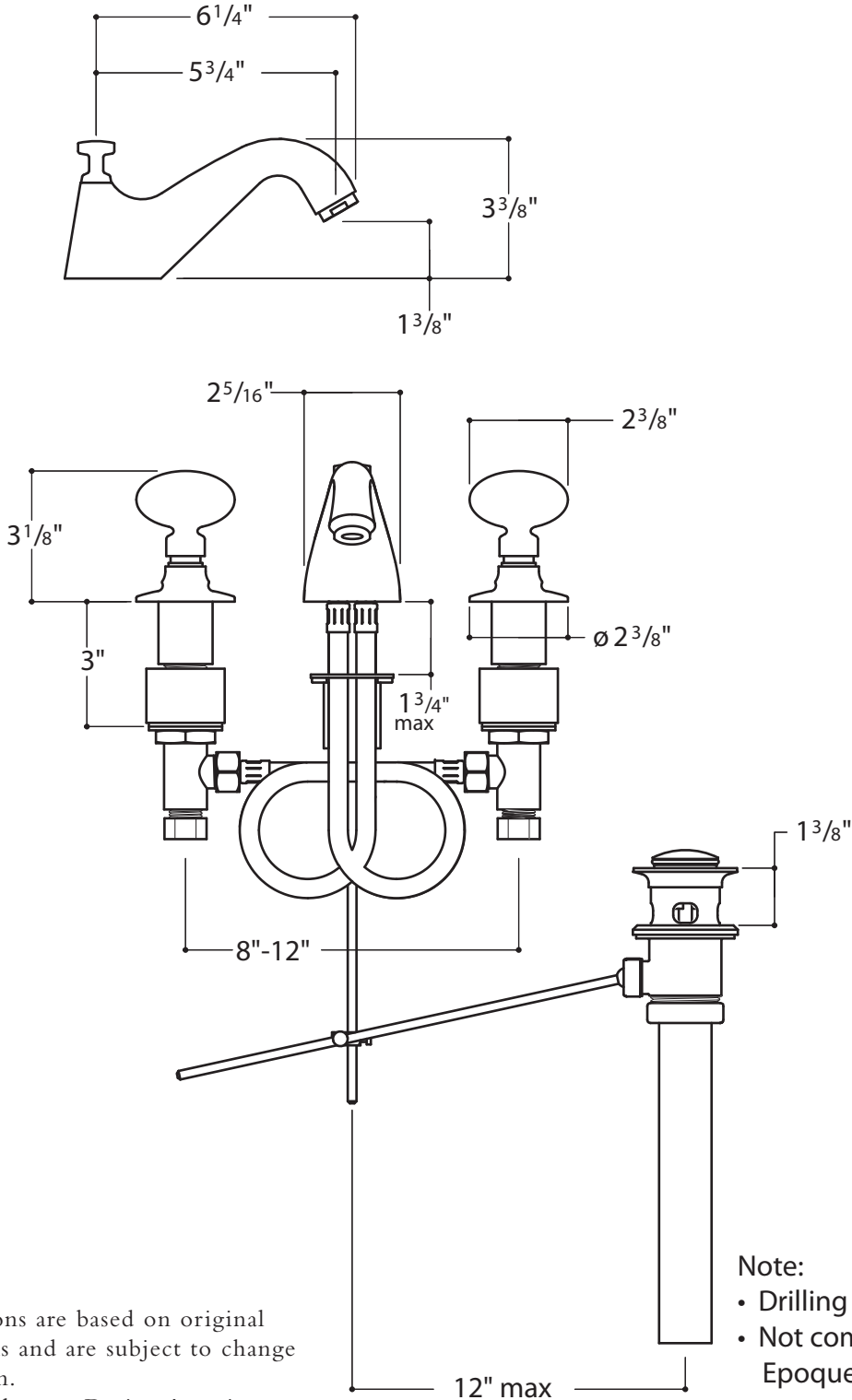


LAVATORY FAUCET WITH EGG CRYSTAL HANDLE
OPLS02-K



All dimensions are based on original specifications and are subject to change and variation. Please consult your Design Associate for current specification.

- Note:
- Drilling hole size: 1 3/8"
 - Not compatible with Belle Epoque lavatory fixtures