

## R.W. ATLAS

## RWSH10

R.W. Atlas Ceiling Mounted 8 1/2" Shower Head, Arm and Flange



SHOWN IN R.W. ATLAS CEILING MOUNTED 8 1/2" SHOWER HEAD, ARM AND FLANGE | RWSH10

### TECHNICAL DETAILS

Adjustable versus Fixed Spray: Fixed Spray  
Diameter of Head: 8 9/16"  
Escutcheon Primary Material: Brass  
Fittings Hole Diameter: 1 1/4"  
Flow Restriction Options: 2.5, 2.2, 2.0, 1.75, 1.5, 0.92  
Depth / Width: 8 9/16"  
Height: 10 11/16"  
Inlet Connection Size: 1/2"  
Inlet Connection Type: Female NPT  
Installation Type: Wall Mounted  
Integrated Diverter: N  
Integrated Spray: N  
Length: 8 9/16"  
Pivot: N  
Primary Material: Brass  
Spout Swivel: N  
Spray Included in Unit: N  
Suggested Application: Bath  
Water Pressure Maximum: 85.0 psi  
Water Pressure Minimum: 20.0 psi  
Water Pressure Recommended: 45.0 psi

### INSPIRATION

Powerful shapes, genuine materials and unique aesthetic details. The original, impeccable vision of R.W. Atlas pairs American ingenuity with European craftsmanship.

### PRODUCT FEATURES

Features a flat round 8" shower head

Exposed slotted screws around shower head offer added design detail.

Stocked in 2.5gpm (9.5 L/min) and 1.75gpm (6.6 L/min). State of California requires 1.75gpm (6.6 L/min) to comply with their water conservation requirements. Other flow options are available to order, contact your sales associate or call 1 (800) 899-6757 for details.

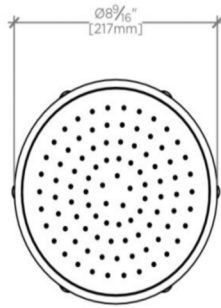


# WATERWORKS

R.W. ATLAS

RWSH10

R.W. Atlas Ceiling Mounted 8 1/2" Shower Head, Arm and Flange



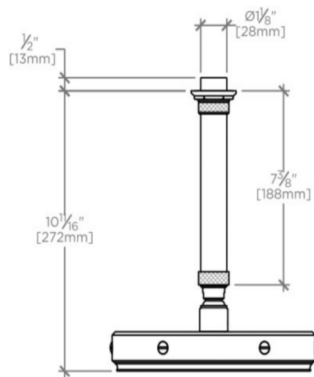
CEILING VIEW

SCALE: 2"=1'-0"



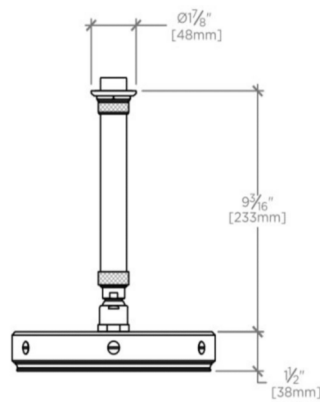
ISO VIEW

SCALE: 2"=1'-0"



FRONT VIEW

SCALE: 2"=1'-0"



SIDE VIEW

SCALE: 2"=1'-0"