

## HENRY

Henry 4" Pull

HNHW04



SHOWN IN HENRY 4" PULL | HNHW04

### TECHNICAL DETAILS

Height: 1 5/8"  
Length: 5 7/8"

### INSPIRATION

Influenced by the connection of industry and art Henry easily transitions between modern, traditional, utilitarian and classic settings.

### PRODUCT FEATURES

Match to Henry fittings and accessories

Hexagon shapes in knobs and pulls with exposed screws

Made in the USA

Includes per fixing: 8-32 Truss Head Machine Screw-Combo-Slotted

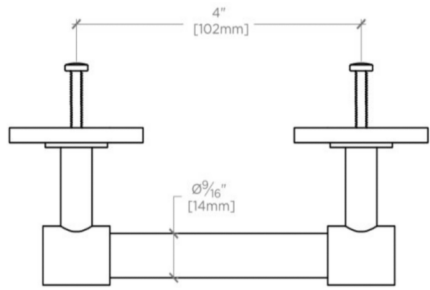


# WATERWORKS

**HENRY**  
Henry 4" Pull

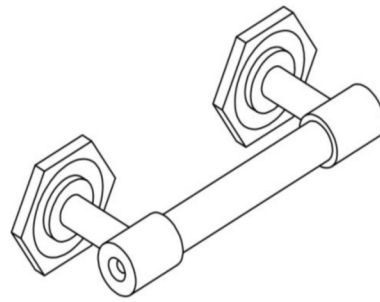
**HNHW04**

| MOUNTING HARDWARE INCLUDED |   |     |
|----------------------------|---|-----|
| STYLE #                    | DESCRIPTION   | QTY |
| 998945                     | Service Parts 8-32 1" Truss Head Machine Screw, Combo, Slotted  | 2   |
| 998946                     | Service Parts 8-32 1½" Truss Head Machine Screw, Combo, Slotted | 2   |



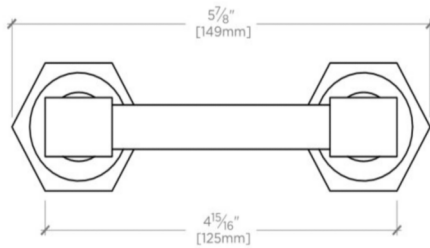
TOP VIEW

SCALE: 6"=1'-0"



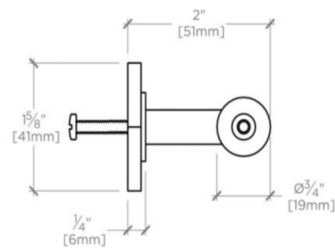
ISO VIEW

SCALE: 6"=1'-0"



FRONT VIEW

SCALE: 6"=1'-0"



SIDE VIEW

SCALE: 6"=1'-0"