

ISLA

Isla Thermostatic Control Valve Trim with Metal Geode Handle

ISTH05



SHOWN IN ISLA THERMOSTATIC CONTROL VALVE TRIM WITH METAL GEODE HANDLE | ISTH05

TECHNICAL DETAILS

Control Valve Rough-in Depth Minimum: 3 1/8"
Escutcheon Primary Material: Brass
Fittings Hole Diameter: 5 1/4"
Depth / Width: 3 3/8"
Height: 6 7/8"
Length: 6 5/8"
Suggested Application: Bath

INSPIRATION

Pure, timeless, unique and versatile - sculptural organic forms meet advanced engineering in this inspiring collection of fittings, hardware and accessories.

PRODUCT FEATURES

Features faceted Geode Handle

Allows bather to adjust temperature of all waterway outlets

Requires the 3/4" Thermostatic Valve Rough: US: GUTH37 and UK: GU37TH

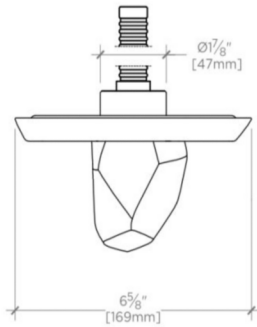
Stocked in Nickel, Unlacquered Brass, Burnished Nickel, and Burnished Brass finishes



ISLA

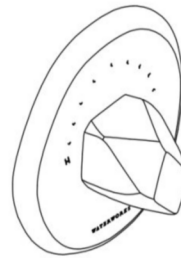
ISTH05

Isla Thermostatic Control Valve Trim with Metal Geode Handle



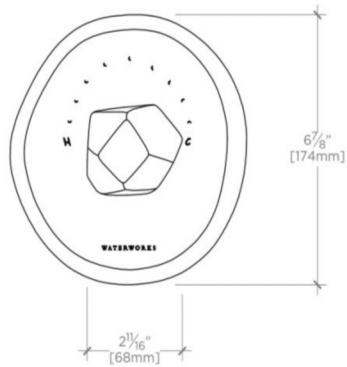
TOP VIEW

SCALE: 3"=1'-0"



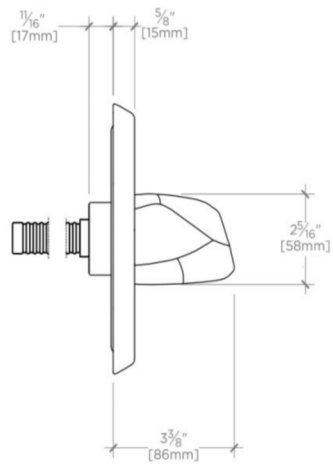
ISO VIEW

SCALE: 3"=1'-0"



FRONT VIEW

SCALE: 3"=1'-0"



SIDE VIEW

SCALE: 3"=1'-0"