

UNIVERSAL

GU25LV

Universal Lavatory Wall Mounted Rough Valve (Used with Lever Handle Lavatory Faucet)



SHOWN IN UNIVERSAL LAVATORY WALL MOUNTED ROUGH VALVE (USED WITH LEVER HANDLE LAVATORY FAUCET)

TECHNICAL DETAILS

Fittings Hole Diameter: 1 1/8"
Handle Spread Maximum: 8"
Handle Spread Minimum: 8"
Handle Turn Angle: Quarter Turn
Depth / Width: 6"
Height: 2 3/4"
Inlet Connection Size: 1/2"
Inlet Connection Type: Female G/BSPP
Installation Type: Wall Mounted
Length: 10"
Outlet Connection Size: 1/2"
Outlet Connection Type: Female BSP
Primary Material: Brass
Suggested Application: Bath
Valve Material: Ceramic
Water Pressure Maximum: 80.0 psi
Water Pressure Minimum: 20.0 psi
Water Pressure Recommended: 45.0 psi

INSPIRATION

Our Universal collection features timeless designs complementing any of our Waterworks. With a wide range of product, from fittings to accessories, Universal adds exquisite proportion and balance to any environment.

CODES & STANDARDS

Code # : ASME A112.18.1 / CSA B125.1, State of MA, UL

PRODUCT FEATURES

This hot and cold cartridge rough is for use with Waterworks wall mounted faucets

1/2" NPT male inlet and 1/2" NPT female outlet, with quarter turn functionality

Made of brass materials

6 gpm unrestricted maximum flow at 45 psi

Available option that complies with 0.25% Weighted Average Lead Content (WALC).

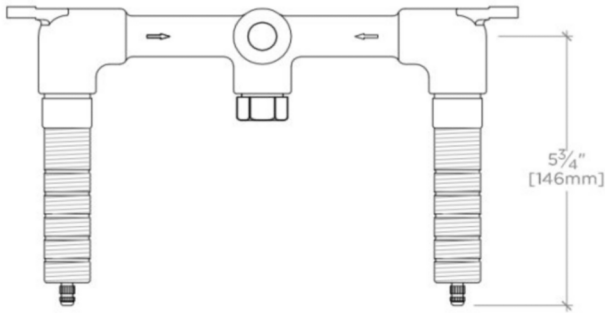
WATERWORKS

UNIVERSAL

GU25LV

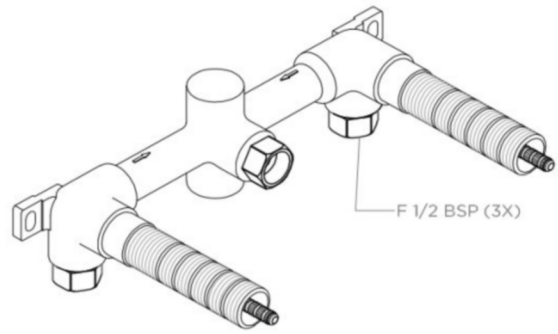
Universal Lavatory Wall Mounted Rough Valve (Used with Lever Handle Lavatory Faucet)

ADAPTER(S) PACKAGED SEPARATELY		
ADAPTER	DESCRIPTION	QTY
UNUK02	1/2" Male NPT x 1/2" Female BSP	3



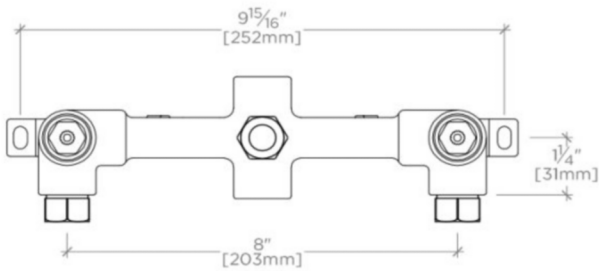
TOP VIEW

SCALE: 3"=1'-0"



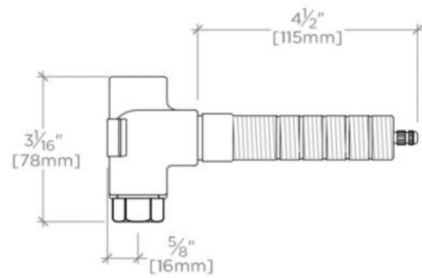
ISO VIEW

SCALE: 3"=1'-0"



FRONT VIEW

SCALE: 3"=1'-0"



SIDE VIEW

SCALE: 3"=1'-0"