

JULIA

JUKM49

Julia Three Hole Articulated Kitchen Faucet, Metal Lever Handles and Spray



SHOWN IN JULIA THREE HOLE ARTICULATED KITCHEN FAUCET, METAL LEVER HANDLES AND SPRAY | JUKM49

TECHNICAL DETAILS

Deck Thickness Maximum: 1 1/2"
Deck Thickness Minimum: 1/4"
Fittings Hole Diameter: 1 1/4"
Handle Spread Maximum: 12"
Handle Spread Minimum: 8"
Handle Turn Angle: Quarter Turn
Handshower / Spray Hose Length: 49"
Depth / Width: 20 1/4"
Height: 11 9/16"
Inlet Connection Size: 1/2"
Inlet Connection Type: Male with supply nut
Inlet Supply Spread Maximum: 12"
Inlet Supply Spread Minimum: 8"
Primary Material: Brass
Restricted Maximum Flow Rate: 2.2 gpm
Spout Swivel: Y
Spray Included in Unit: Y
Suggested Application: Bar, Kitchen, Laundry
Valve Material: Ceramic
Water Pressure Maximum: 85.0 psi
Water Pressure Minimum: 20.0 psi
Water Pressure Recommended: 45.0 psi

INSPIRATION

An interpretation of 1920s French country, Julia speaks to decoration and intricate design displayed through beautifully composed turnings. These details embody the robust, signature high profile spout enabling Julia to transition fluidly from informal to formal environments.

CODES & STANDARDS

Code # JUKM49: CEC

PRODUCT FEATURES

Articulating Spout

Smooth folding action for easy storage or far reach into the sink

Built-in Automatic Diverter for Spray Operation.

Hot and/or Cold Mix for the Side Spray.

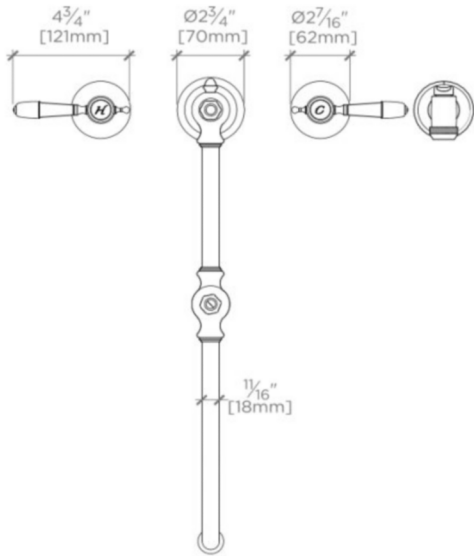
Standard flow rate is 2.2gpm (8.3 L/min) and State of California requires a maximum of 1.8gpm(6.8 L/min). Also available in other flow options. Contact a sales associate for details.

WATERWORKS

JULIA

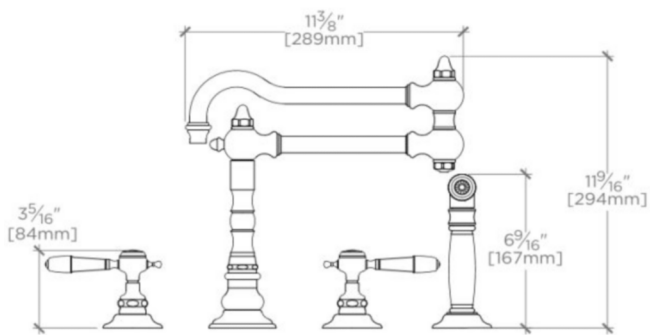
JUKM49

Julia Three Hole Articulated Kitchen Faucet, Metal Lever Handles and Spray



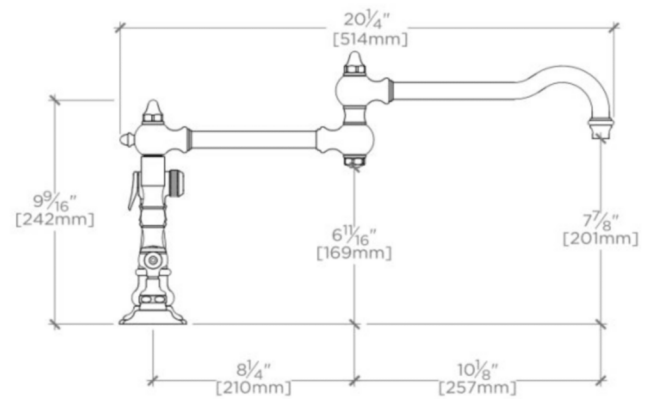
TOP VIEW

SCALE: 1/2"=1'-0"



FRONT VIEW (FOLDED)

SCALE: 1/2"=1'-0"



SIDE VIEW

SCALE: 1/2"=1'-0"