

JULIA

JUKM48

Julia Three Hole Articulated Kitchen Faucet, Metal Cross Handles and Spray



TECHNICAL DETAILS

Deck Thickness Maximum: 1 1/2"
Deck Thickness Minimum: 1/4"
Fittings Hole Diameter: 1 1/4"
Handle Spread Maximum: 12"
Handle Spread Minimum: 8"
Handle Turn Angle: Quarter Turn
Handshower / Spray Hose Length: 49"
Depth / Width: 20 1/4"
Height: 11 9/16"
Inlet Connection Size: 1/2"
Inlet Connection Type: Male with supply nut
Inlet Supply Spread Maximum: 12"
Inlet Supply Spread Minimum: 8"
Primary Material: Brass
Restricted Maximum Flow Rate: 2.2 gpm
Spout Swivel: Y
Spray Included in Unit: Y
Suggested Application: Bar, Kitchen, Laundry
Valve Material: Ceramic
Water Pressure Maximum: 85.0 psi
Water Pressure Minimum: 20.0 psi
Water Pressure Recommended: 45.0 psi

INSPIRATION

An interpretation of 1920s French country, Julia speaks to decoration and intricate design displayed through beautifully composed turnings. These details embody the robust, signature high profile spout enabling Julia to transition fluidly from informal to formal environments.

CODES & STANDARDS

Code # JUKM48: CEC

PRODUCT FEATURES

Metal cross handles

Articulating spout for easy storage or far reach into the sink.

Integrated diverter to divert water between spout and side spray

Stocked in Chrome, Nickel, Matte Nickel, and Unlacquered Brass

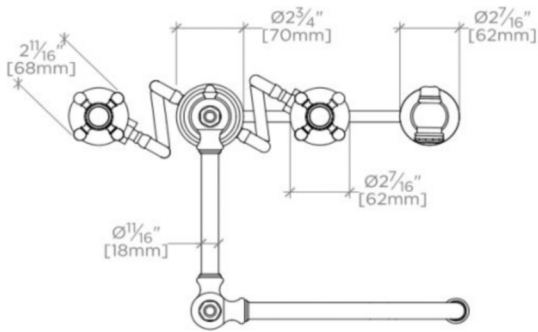
Stocked in 2.5gpm (9.5L/min) flow rate. Alternate flow regulation of 1.75gpm (6.6/min) also available as special order

WATERWORKS

JULIA

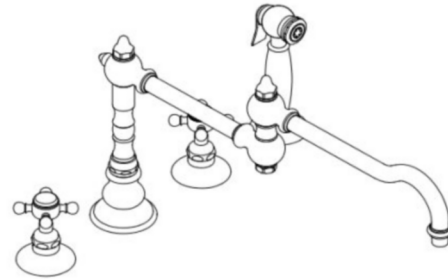
JUKM48

Julia Three Hole Articulated Kitchen Faucet, Metal Cross Handles and Spray



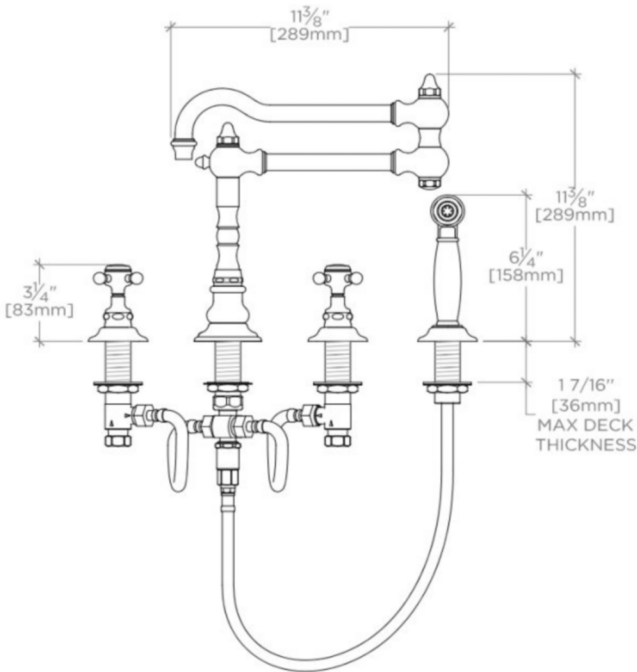
TOP VIEW (FOLDED)

SCALE: 1/2"=1'-0"



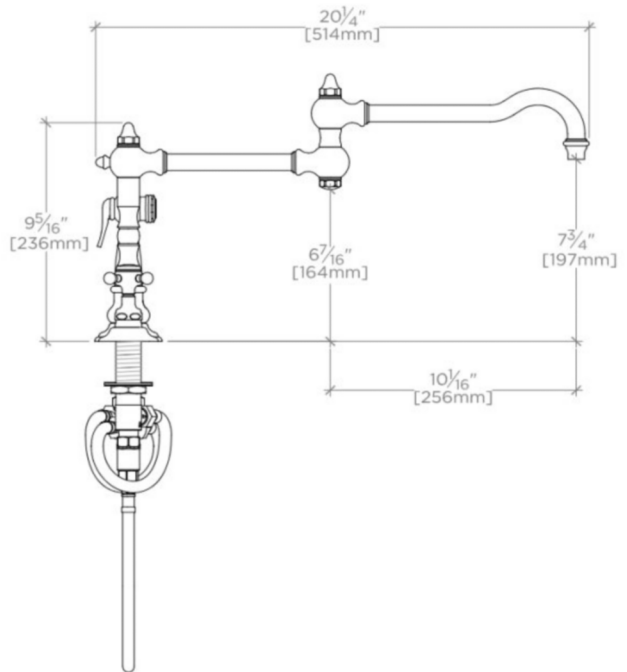
ISO VIEW

SCALE: 1/2"=1'-0"



FRONT VIEW (FOLDED)

SCALE: 1/2"=1'-0"



SIDE VIEW

SCALE: 1/2"=1'-0"