

## R.W. ATLAS

## RWLS20

R.W. Atlas Low Profile Three Hole Deck Mounted Lavatory Faucet with Metal Wheel Handles



SHOWN IN R.W. ATLAS LOW PROFILE THREE HOLE DECK MOUNTED LAVATORY FAUCET WITH METAL WHEEL HANDLES

### TECHNICAL DETAILS

ADA Compliance: Yes  
 Adjustable versus Fixed Spray: Fixed Spray  
 Deck Thickness Maximum: 1 9/16"  
 Deck Thickness Minimum: 3/8"  
 Drain Depth Maximum: 2 5/8"  
 Drain Hole Diameter: 1 3/4"  
 Escutcheon Primary Material: Brass  
 Fittings Hole Diameter: 1 1/4"  
 Handle Spread Maximum: 12"  
 Handle Spread Minimum: 8"  
 Handle Turn Angle: Quarter Turn  
 Depth / Width: 8"  
 Drain Depth Minimum: 3/8"  
 Height: 4 3/8"  
 Inlet Connection Size: 1/2"  
 Inlet Connection Type: Male with Supply Nut  
 Inlet Supply Spread Maximum: 12"  
 Inlet Supply Spread Minimum: 8"  
 Installation Type: Deck Mounted  
 Integrated Diverter: N  
 Integrated Spray: N  
 Length: 11 5/8"  
 Number of Handles: Two  
 Number of Holes: Three Hole  
 Primary Material: Brass  
 Restricted Maximum Flow Rate: 1.2 gpm  
 Spout Swivel: N  
 Spray Included in Unit: N  
 Suggested Application: Bath  
 Valve Material: Ceramic  
 Water Pressure Maximum: 85.0 psi  
 Water Pressure Minimum: 20.0 psi  
 Water Pressure Recommended: 45.0 psi

### INSPIRATION

Powerful shapes, genuine materials and unique aesthetic details. The original, impeccable vision of R.W. Atlas pairs American ingenuity with European craftsmanship.

### CODES & STANDARDS

Code # RWLS20: Complies with ASME A112.18.1/CSA B125.1, ASME A112.18.2 / CSA B125.2, NSF 61, NSF 372, CEC, ADA and 0.25% Weighted Average Lead Content. Certified with IAPMO, cUPC, NSF, CEC, DOE, State of MA and WRAS.

### PRODUCT FEATURES

Features tumbled barrels marked with an engraved H and C.  
 Includes European push touch style drain.  
 Meets or exceeds the Weighted Average Lead Requirements of 0.25%.  
 Available in 1.2gpm (4.5L/min)

### CERTIFICATIONS

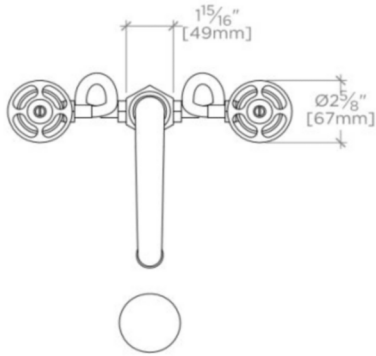


# WATERWORKS

## R.W. ATLAS

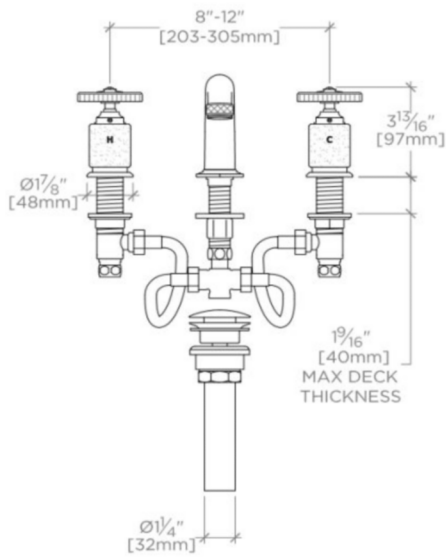
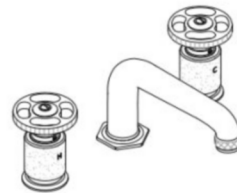
RWLS20

R.W. Atlas Low Profile Three Hole Deck Mounted Lavatory Faucet with Metal Wheel Handles



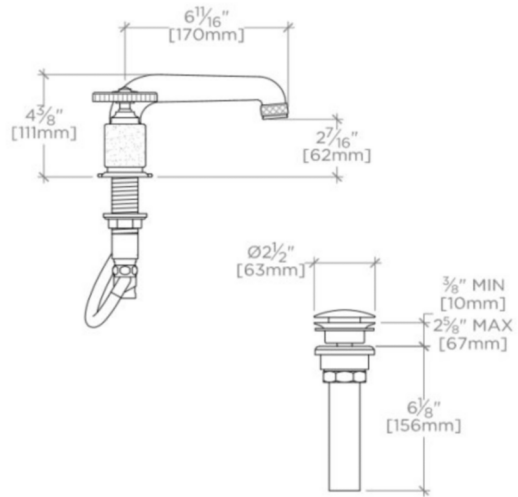
TOP VIEW

SCALE:  $1\frac{1}{2}$ "=1'-0"



FRONT VIEW

SCALE:  $1\frac{1}{2}$ "=1'-0"



SIDE VIEW

SCALE:  $1\frac{1}{2}$ "=1'-0"