

## HENRY

Henry Exposed Deck Mounted Tub Filler With Handshower and Metal Cross Handles

## HNXT40



SHOWN IN HENRY EXPOSED DECK MOUNTED TUB FILLER WITH HANDSHOWER AND METAL CROSS HANDLES| HNXT40

### TECHNICAL DETAILS

ADA Compliance: Yes  
 Adjustable versus Fixed Spray: Fixed Spray  
 Deck Thickness Maximum: 2 1/2"  
 Deck Thickness Minimum: 0"  
 Diameter of Head: 1 7/8"  
 Escutcheon Primary Material: Brass  
 Fittings Hole Diameter: 1 1/8"  
 Flow Restriction Options: 2.5, 2.0, 1.75, 1.5, 0.92  
 Handle Spread Maximum: 8"  
 Handle Spread Minimum: 8"  
 Handle Turn Angle: Quarter Turn  
 Handshower / Spray Hose Length: 59"  
 Depth / Width: 10 1/8"  
 Height: 16 11/16"  
 Inlet Connection Size: 3/4"  
 Inlet Connection Type: Copper Sweat  
 Inlet Supply Spread Maximum: 8"  
 Inlet Supply Spread Minimum: 8"  
 Installation Type: Deck Mounted  
 Integrated Diverter: N  
 Integrated Spray: N  
 Number of Handles: Two  
 Number of Holes: Two Hole  
 Pivot: N  
 Primary Material: Brass  
 Spout Swivel: N  
 Spray Included in Unit: N  
 Suggested Application: Bath  
 Valve Material: Ceramic  
 Water Pressure Maximum: 85.0 psi  
 Water Pressure Minimum: 20.0 psi  
 Water Pressure Recommended: 45.0 psi

### INSPIRATION

Influenced by the connection of industry and art Henry easily transitions between modern, traditional, utilitarian and classic settings.

### CODES & STANDARDS

Code # HNTU40: Code # HNTU40X: Complies with ASME A112.18.1/CSA B125.1, ASTM E 1621-05 & ANSI A117.1 ADA.

### PRODUCT FEATURES

The manufacturing process encompasses casting, turning, forging, hand-fitting and hand polishing. Brass material is used for components.

Stocked in 2.5gpm (9.5 L/min) and 1.75gpm (6.6 L/min) for Handshower. State of California requires 1.75gpm (6.6 L/min) to comply with their water conservation requirements. Other flow options are available to order, contact your sales associate or call 1 (800) 899-6757 for details

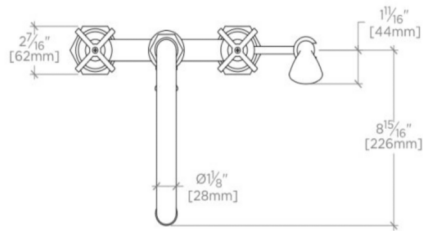


# WATERWORKS

## HENRY

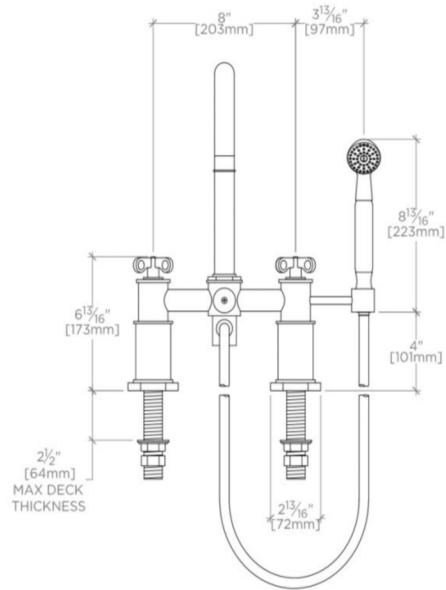
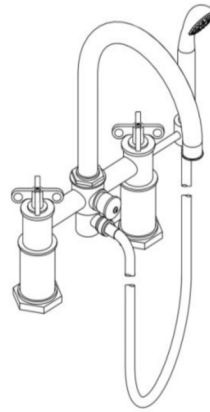
## HNXT40

Henry Exposed Deck Mounted Tub Filler With Handshower and Metal Cross Handles



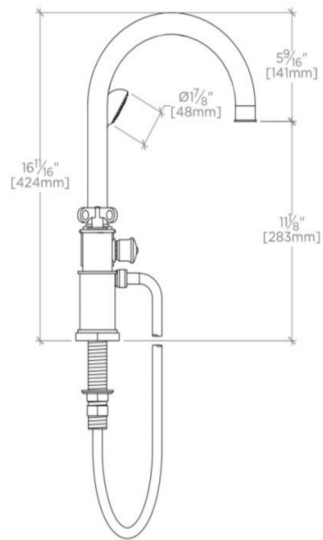
TOP VIEW

SCALE:  $1\frac{1}{2}$ "=1'-0"



FRONT VIEW

SCALE:  $1\frac{1}{2}$ "=1'-0"



SIDE VIEW

SCALE:  $1\frac{1}{2}$ "=1'-0"