

WATERWORKS

HENRY

Henry Deck Mounted Exposed Tub Filler with Handshower and Metal Cross Handles

HN40XT



SHOWN IN HENRY EXPOSED DECK MOUNTED TUB FILLER WITH HANDSHOWER AND METAL CROSS HANDLES| HNX40

TECHNICAL DETAILS

ADA Compliance: Yes
Adjustable versus Fixed Spray: Fixed Spray
Deck Thickness Maximum: 2 1/2"
Deck Thickness Minimum: 0"
Diameter of Head: 1 7/8"
Escutcheon Primary Material: Brass
Fittings Hole Diameter: 1 1/8"
Handle Spread Maximum: 8"
Handle Spread Minimum: 8"
Handle Turn Angle: Quarter Turn
Handshower / Spray Hose Length: 59"
Depth / Width: 10 1/8"
Height: 16 11/16"
Inlet Connection Size: 3/4"
Inlet Connection Type: Male G/BSPP
Inlet Supply Spread Maximum: 8"
Inlet Supply Spread Minimum: 8"
Installation Type: Deck Mounted
Integrated Diverter: N
Integrated Spray: N
Length: 14 3/16"
Number of Handles: Two
Number of Holes: Two Hole
Pivot: N
Primary Material: Brass
Restricted Maximum Flow Rate: 2.5 gpm
Spout Swivel: N
Spray Included in Unit: N
Suggested Application: Bath
Valve Material: Ceramic
Water Pressure Maximum: 80.0 psi
Water Pressure Minimum: 20.0 psi
Water Pressure Recommended: 45.0 psi

INSPIRATION

Influenced by the connection of industry and art Henry easily transitions between modern, traditional, utilitarian and classic settings.

CODES & STANDARDS

Code # : Complies with ASME A112.18.1/CSA B125.1, ASTM E 1621-05 & ANSI A117.1 ADA.

PRODUCT FEATURES

The manufacturing process encompasses casting, turning, forging, hand-fitting and hand polishing. Brass material is used for components.



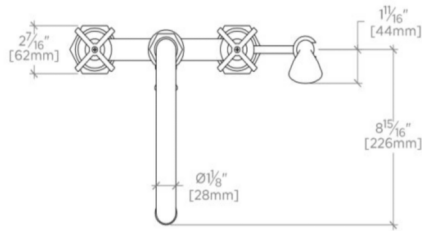
WATERWORKS

HENRY

HN40XT

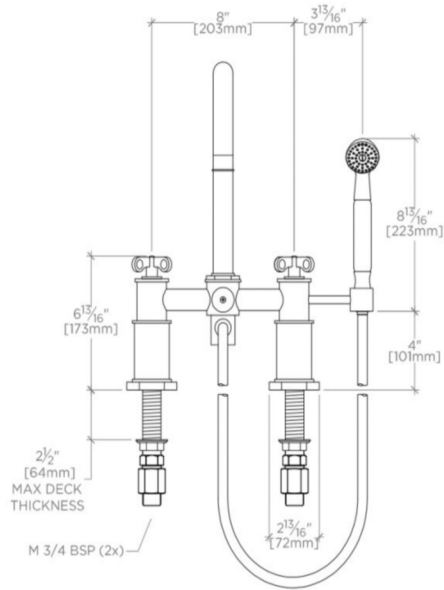
Henry Deck Mounted Exposed Tub Filler with Handshower and Metal Cross Handles

ADAPTER(S) PACKAGED SEPARATELY		
ADAPTER	DESCRIPTION	QTY
UNUK05	3/4" NPT Female x 3/4" Male BSP	2



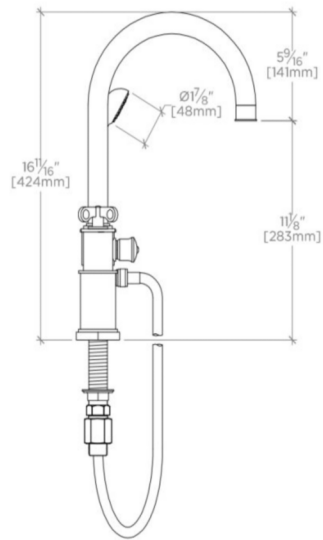
TOP VIEW

SCALE: 1/2"=1'-0"



FRONT VIEW

SCALE: 1/2"=1'-0"



SIDE VIEW

SCALE: 1/2"=1'-0"