

FORMWORK

Formwork Wall Mounted Tub Spout

FMTS01



SHOWN IN FORMWORK WALL MOUNTED TUB SPOUT | FMTS01

TECHNICAL DETAILS

Adjustable Shelves: N
Adjustable versus Fixed Spray: Fixed Spray
Escutcheon Primary Material: Brass
Fittings Hole Diameter: 1 1/4"
Depth / Width: 9 1/16"
Height: 6"
Inlet Connection Size: 1/2"
Inlet Connection Type: Female NPT
Installation Type: Wall Mounted
Integrated Diverter: N
Integrated Spray: N
Length: 2 3/8"
Number of Holes: One Hole
Pivot: N
Primary Material: Brass
Spout Swivel: N
Spray Included in Unit: N
Suggested Application: Bath
Water Pressure Maximum: 85.0 psi
Water Pressure Minimum: 20.0 psi
Water Pressure Recommended: 45.0 psi

INSPIRATION

Sculptural forms that defy the ordinary. Unexpected geometry and the transition of the planes create a subtle but warm expression.

CODES & STANDARDS

Code # FMTS01X: Certified with cUPC, NSF, IAPMO, CSA

PRODUCT FEATURES

Works seamlessly with Waterworks' Thermostatic or Diverter shower systems.



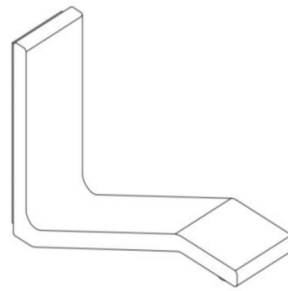
FORMWORK

FMTS01

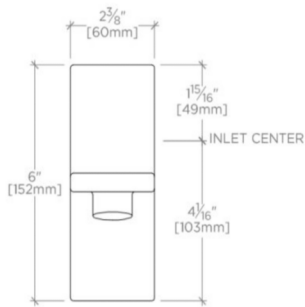
Formwork Wall Mounted Tub Spout



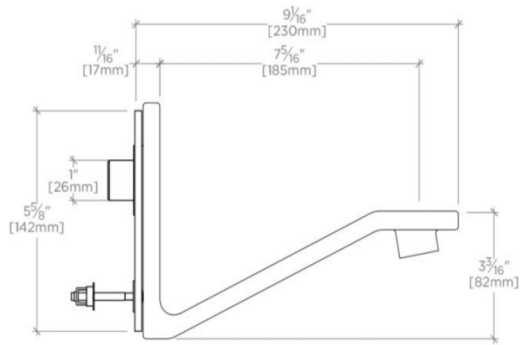
TOP VIEW SCALE: 3"=1'-0"



ISO VIEW SCALE: 3"=1'-0"



FRONT VIEW SCALE: 3"=1'-0"



SIDE VIEW SCALE: 3"=1'-0"