

EASTON

EAXS42

Easton Classic Two Cross Handle Exposed Thermostatic System with 8" Shower Rose



SHOWN IN EASTON CLASSIC TWO CROSS HANDLE EXPOSED THERMOSTATIC SYSTEM WITH 8" SHOWER ROSE| EAXS42

TECHNICAL DETAILS

Adjustable versus Fixed Spray: Fixed Spray
 Assembly / Configuration: Partially Assembled
 Diameter of Head: 8"
 Escutcheon Primary Material: Brass
 Fittings Hole Diameter: 1 1/4"
 Handshower / Spray Hose Length: 59"
 Index Color / Finish and Material: White Porcelain
 Index Marking: Blank
 Inlet Connection Size: 3/4"
 Inlet Connection Type: Male NPT
 Inlet Supply Spread Maximum: 8 1/8"
 Inlet Supply Spread Minimum: 8 1/8"
 Installation Type: Wall Mounted
 Integrated Diverter: N
 Number of Handles: Two
 Primary Material: Brass
 Restricted Maximum Flow Rate: 2.5 gpm
 Suggested Application: Bath
 Valve Material: Brass
 Water Pressure Maximum: 85.0 psi
 Water Pressure Minimum: 20.0 psi
 Water Pressure Recommended: 45.0 psi

INSPIRATION

Drawing on Edwardian style, Easton is the most extensive Waterworks family; a range of moods and a selection of products from fittings to furniture.

PRODUCT FEATURES

Built in Anti-scald protection.

An extensive range of fittings, fixture and accessory options for the lavatory, bath and kitchen.

The pillowed propeller on the cross handle makes the product fit comfortably in the hand.

Stocked in 2.5gpm (9.5 L/min) and 1.75gpm (6.6 L/min). State of California requires 1.75gpm (6.6 L/min) to comply with their water conservation requirements. Other flow options are available to order, contact your sales associate or call 1 (800) 899-6757 for details.

PRODUCT (NOTES)

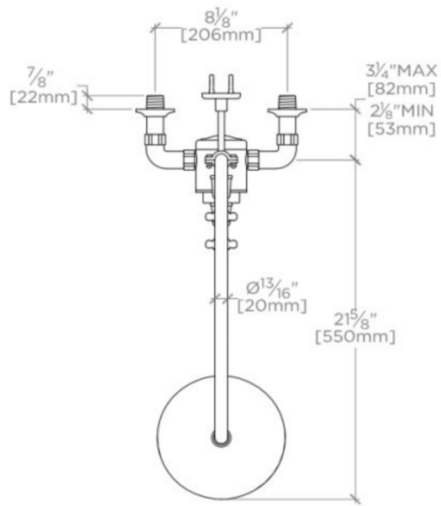
Valve Included

WATERWORKS

EASTON

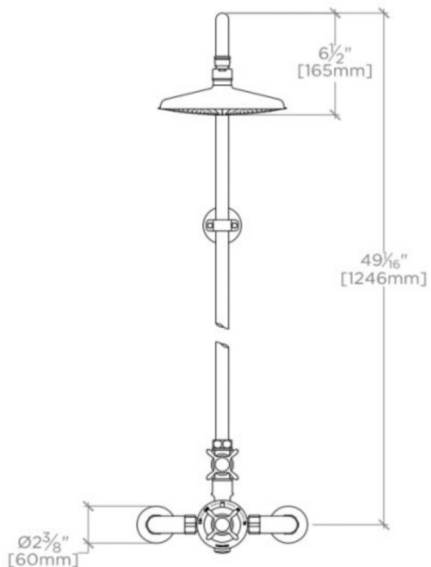
EAXS42

Easton Classic Two Cross Handle Exposed Thermostatic System with 8" Shower Rose



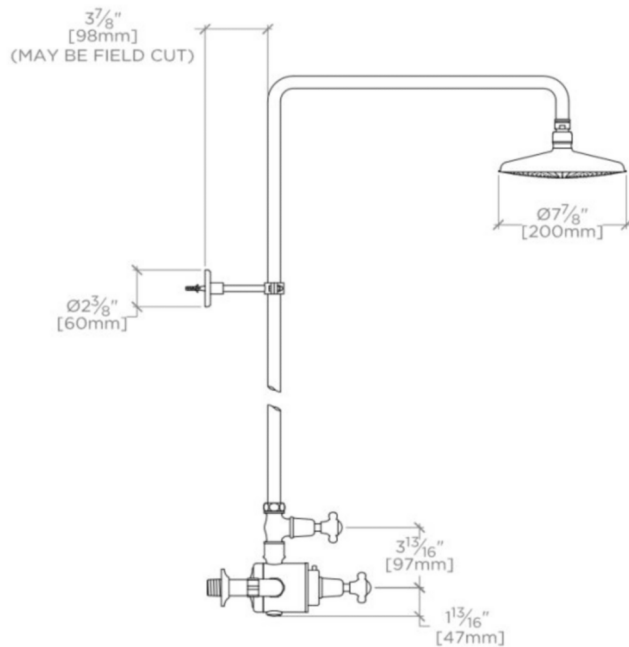
TOP VIEW

SCALE: 1"=1'-0"



FRONT VIEW

SCALE: 1"=1'-0"



SIDE VIEW

SCALE: 1"=1'-0"