

EASTON

EALS03

Easton Classic Low Profile Three Hole Deck Mounted Lavatory Faucet with White Porcelain Lever Handles



SHOWN IN EASTON CLASSIC LOW PROFILE THREE HOLE DECK MOUNTED LAVATORY FAUCET WITH WHITE PORCELAIN

TECHNICAL DETAILS

ADA Compliance: Yes
 Deck Thickness Maximum: 1 1/4"
 Deck Thickness Minimum: 0.1"
 Drain Assembly Materials: Brass
 Drain Depth Maximum: 1 3/8"
 Drain Hole Diameter: 1 3/4"
 Fittings Hole Diameter: 1 3/8"
 Handle Spread Maximum: 12"
 Handle Spread Minimum: 8"
 Handle Turn Angle: Quarter Turn
 Index Color / Finish and Material: White Porcelain
 Depth / Width: 9"
 Drain Depth Minimum: 1 3/4"
 Height: 3 1/2"
 Inlet Connection Size: 1/2"
 Inlet Connection Type: Male with supply nut
 Installation Type: Deck Mounted
 Length: 16"
 Primary Material: Brass
 Restricted Maximum Flow Rate: 1.2 gpm
 Spout Swivel: N
 Suggested Application: Bath
 Water Pressure Maximum: 85.0 psi
 Water Pressure Minimum: 20.0 psi
 Water Pressure Recommended: 45.0 psi

INSPIRATION

Drawing on Edwardian style, Easton is the most extensive Waterworks family; a range of moods and a selection of products from fittings to furniture.

CODES & STANDARDS

Code # EALS03: CEC

PRODUCT FEATURES

Available in 1.2gpm (4.5L/min) flow rate

CERTIFICATIONS

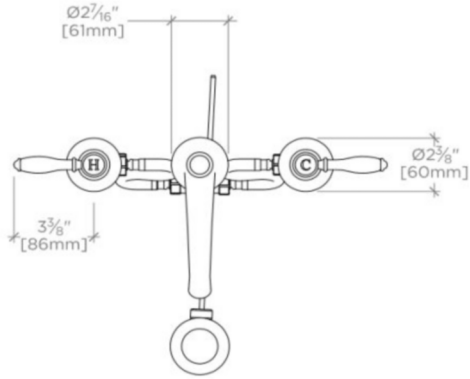


WATERWORKS

EASTON

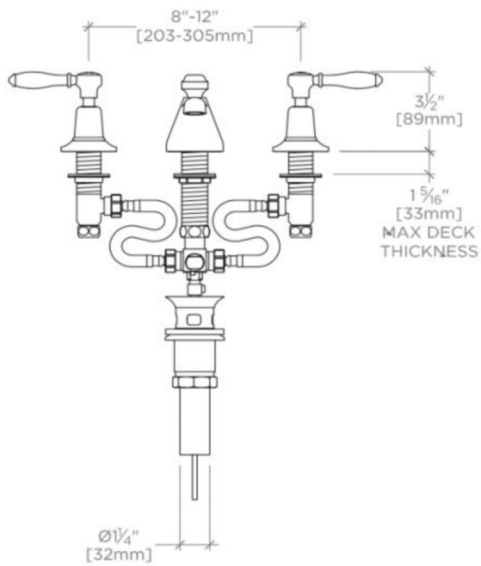
EALS03

Easton Classic Low Profile Three Hole Deck Mounted Lavatory
Faucet with White Porcelain Lever Handles



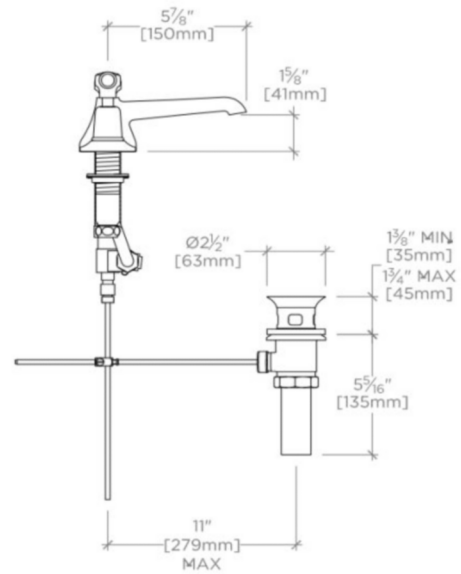
TOP VIEW

SCALE: 1 1/2"=1'-0"



FRONT VIEW

SCALE: 1 1/2"=1'-0"



SIDE VIEW

SCALE: 1 1/2"=1'-0"